

HomeCraft™

All products are trademarks of Nostalgia Products LLC.
Worldwide design & utility patented or patents pending.
© 2019 Nostalgia Products LLC.

www.nostalgiaproducts.com

(rev. 04/01/19 NW)



FBG2

Bacon Press & Griddle **Prensa y parrilla para tocino** **Presse-bacon et grille de cuisson**

Instructions and Recipes
Instrucciones y recetas
Instructions et Recettes

Make everyday a party!
 Visit www.nostalgiaproducts.com for more fun products.

CONTENTS

SAFETY 2

IMPORTANT SAFEGUARDS 3

ADDITIONAL IMPORTANT SAFEGUARDS 3

INTRODUCTION 4

PARTS & ASSEMBLY 5

HOW TO OPERATE 6

HELPFUL TIPS 8

CLEANING & MAINTENANCE 8

RECIPES 8

RETURNS & WARRANTY 9

SAFETY

Your safety and the safety of others is very important.

We have provided many important safety messages in this manual and on your appliance. Always read and obey all safety messages.



This is the safety alert symbol.

This symbol alerts you to potential hazards that can cause serious injury to you and others.

All safety messages will follow the safety alert symbol.

All safety messages will tell you what the potential hazard is, tell you how to reduce the chance of injury, and tell you what can happen if the instructions are not followed.

Appliance Specifications:

120 Volts, 60 Hz
 900 Watts

THIS PRODUCT IS FOR USE IN 120V AC OUTLET ONLY.

Refer to www.nostalgiaproducts.com/user-manuals/ for the most updated manual.



IMPORTANT SAFEGUARDS

A person who has not read and understood all operating and safety instructions is not qualified to operate this appliance. All users of this appliance must read and understand this Instruction Manual before operating or cleaning this appliance.

When using electrical appliances, basic safety precautions should always be followed, including:

1. **Read all instructions before operating this appliance.**
2. DO NOT TOUCH the hot surfaces. Use handles or knobs.
3. This appliance is NOT A TOY.
4. Unsupervised young children and cognitively challenged individuals should never operate this appliance.
5. Close supervision is necessary when any appliance is used by or near children.
6. To protect against electrical shock do not immerse cord, plug or any part of this unit in water or other liquids.
7. Unplug from outlet when not in use, before removing parts and before cleaning. Allow to cool before putting on or taking off any parts, and before cleaning.
8. DO NOT operate any appliance with a damaged cord or plug, or after the appliance malfunctions, or if the appliance has been damaged in any manner. Return the appliance to the nearest repair shop for examination, repair or adjustment.
9. The manufacturer does not recommend the use of accessory attachments other than what is provided by the manufacturer. Use of attachments may cause injuries.
10. DO NOT use the appliance for other than its intended use.
11. DO NOT use outdoors. FOR HOUSEHOLD USE ONLY.
12. DO NOT place on or near a hot gas or electric burner, or in a heated oven.
13. DO NOT put in dishwasher.
14. DO NOT let cord hang over edge of table or counter, or touch hot surfaces.
15. NEVER leave unit unattended while in use or when plugged into an outlet.
16. Extreme caution must be used when moving an appliance containing hot food.
17. Always attach plug to appliance first, then plug cord in the wall outlet. To disconnect, turn any control to "off," then remove plug from wall outlet.

ADDITIONAL IMPORTANT SAFEGUARDS

Operating Safety Precautions

1. Doors of unit will be HOT during use! Ensure fingers and hands do not touch Doors. If needed, use an oven mitt to open.
2. DO NOT put bacon in unit without Cooking Plate/Door Plates in place. Grease from the bacon may cause the unit to malfunction.
3. Avoid grease spills by always checking the Drip Tray before moving the unit. If the Drip Tray is full, properly dispose of grease prior to moving the unit.
4. Use a plastic or wooden utensil when removing bacon. Over time, metal utensils may damage the non-stick cooking surface of the Cooking Plate.
5. Unit is recommended for use with regular-cut bacon. Some meat market or specialty-cut bacon may be too thick for this unit.

Instructions for the Electrical Cord and Plug

1. This appliance has a polarized plug (one blade is wider than the other). To reduce the risk of electrical shock, this plug is intended to fit into a polarized outlet only one way. **If the plug does not fit fully into the outlet, reverse the plug. If it still does not fit, contact a qualified electrician. Do not attempt to modify the plug in any way.**
2. A short power supply cord is provided to reduce the risk resulting from becoming entangled or tripping over a long cord.
3. If a long detachable power-supply cord or extension cord is used:
 - Extension cords can be used if care is exercised in their use.
 - The marked electrical rating of the cord or extension cord should be at least as great as the electrical rating of the appliance.
 - When using a longer cord or extension cord, make sure that the cord does not drape over a countertop or tabletop where it can be pulled on or tripped over unintentionally.
4. The manufacturer does not recommend using this machine in countries that do not support 120V AC even if a voltage adapter, transformer, or converter is in use.

SAVE THESE INSTRUCTIONS!

INTRODUCTION

Thank you for purchasing the HomeCraft™ BACON PRESS & GRIDDLE! This easy-to-use appliance is a healthier way to cook bacon to delicious perfection. Easily cook regular or thick-cut bacon in just minutes, then cook eggs, pancakes, sausage and more on the griddle to complete your breakfast!

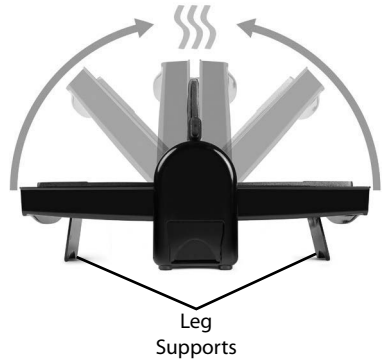
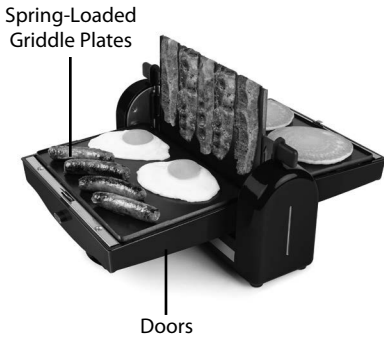
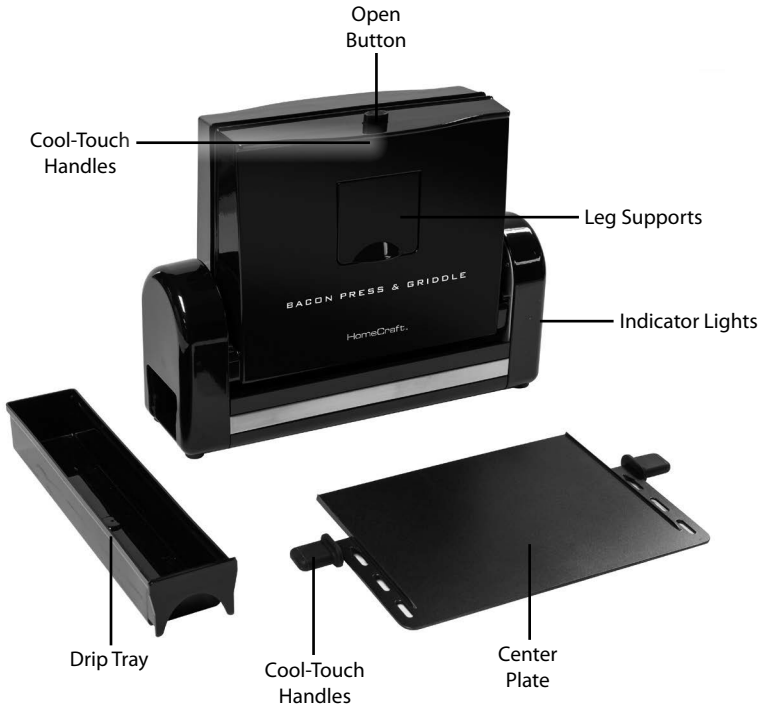
Features include:

- Spring-loaded griddle plates cook regular or thick-cut bacon in minutes
- Vertical cooking drains away bacon grease into slide-out drip tray
- Non-stick center plate removes for easy cleanup
- Built-in leg support for added stability
- Power and preheat indicator lights
- Cool touch handles
- Unit folds vertically for tidy storage

PARTS & ASSEMBLY

PARTS

Before using, be sure to remove the exterior sticker found on the Door of your BACON PRESS & GRIDDLE. Failure to remove this sticker before using the appliance may make it more difficult to remove at a later time.



HOW TO OPERATE

First, find a stable surface near an electrical outlet. Make sure the cord is away from any water source, and that the Center Plate and Drip Tray are properly in place.

Cooking Bacon

1. While in the closed position, plug the cord into the electrical outlet. To indicate power, the bottom and top portions of the Indicator Light will illuminate red and blue.
2. Allow the unit to preheat. When done preheating, the top half of the Indicator Light will darken.
3. Carefully pull open the Doors of the unit using the Open Button and Cool-Touch Handles. Be sure the Doors are resting on the Leg Supports to ensure stability.
CAUTION: Doors will be hot! Ensure fingers and hands do not touch the doors. If needed, use oven mitts to open Doors.
4. Drape strips of bacon, evenly spaced, over the Center Plate. The number of bacon strips to fit on the unit may vary based on the thickness and width of each strip.
COOKING TIP: For best results, do not overlap bacon strips.
CAUTION: DO NOT put bacon in unit without Center Plate in place.
5. Use the Cool-Touch Handles to close the Doors.
NOTE: A small gap in the Doors is both normal and necessary as it allows steam from the bacon to vent while cooking.



6. Allow bacon to cook.
COOKING TIP: Frequently check doneness of bacon so it does not overcook.
CAUTION: Steam is generated during use that could cause burns or other injury. Stay clear of the steam when opening the Doors.
7. When bacon is done to your liking, open Doors of unit and use tongs or fork to carefully remove bacon from the Center Plate. Be sure the Doors are resting on the Leg Supports to ensure stability.
NOTE: It is recommended that you use plastic or wooden utensils when removing bacon. Over time, metal utensils may damage the non-stick cooking surface of the Center Plate.
8. Before cooking more bacon, check the Drip Tray to ensure it does not need to be emptied.
NOTE: Avoid grease spills by always checking the Drip Tray before moving the unit. If the Drip Tray is full, properly dispose of grease prior to moving the unit.
9. When done using, unplug the cord from the electrical outlet. Allow appliance to cool completely before cleaning.

Using the Griddle

1. If you wish to remove the Center Plate before you begin cooking, use the Cool-Touch Handles.

2. While in the closed position, plug the cord into the electrical outlet. To indicate power, the bottom and top portions of the Indicator Light will illuminate red and blue.
3. Allow the unit to preheat. While the appliance is preheating, prepare the food and ingredients to be cooked.
4. When done preheating, the top half of the Indicator Light will darken. Carefully pull open the Doors of the unit using the Open Button and Cool-Touch Handles. Be sure the Doors are resting on the Leg Supports to ensure stability.
CAUTION: Doors will be hot! Ensure fingers and hands do not touch the doors. If needed, use oven mitts to open Doors.
5. Apply cooking spray to the Griddle Plates, then begin cooking your foods. Cooking time will vary depending on the food being made.
CAUTION: Cooking Surface will be HOT. Wear oven mitts while using to prevent burns.
5. When done using, unplug the cord from the electrical outlet. Allow appliance to cool completely before cleaning.
NOTE: Avoid grease spills by always checking the Drip Tray before moving the unit. If the Drip Tray is full, properly dispose of grease prior to moving the unit.

HELPFUL TIPS

Smoking

If the unit begins to smoke during cooking, it may be due to grease build up. In order to reduce smoking, make sure that you clean the Cooking Plate and Door Plates between uses.

Sometimes steam from cooking bacon can be confused for smoking. Steam is ordinarily colorless and sometimes produces a white cloud that dissipates quickly, while smoke tends to be slightly colored by its particles and hangs in the air.

It is normal for steam to escape through the small gap of the closed doors.

Cooking Tips

- For best results, make sure bacon does not overlap and strips are evenly spaced. Bacon will shrink when cooked.
- Depending on the type of bacon, if bacon is too long and touching the Door Plates, the ends of the bacon may need to be trimmed in order to fit onto the Center Plate. Use a knife or kitchen scissors to cut the ends of the bacon.
- For certain types of bacon, some may find it beneficial to flip the bacon during the last 1-3 minutes of cooking.
- Cold bacon may take slightly longer to cook than room temperature bacon, and may be more prone to smoking during the cooking process. It's best to allow your bacon to sit in room temperature for 15 minutes before cooking.
- Keep in mind that this appliance drains fat from the bacon, so the appearance of the bacon may not look as brown and crispy as when pan frying bacon in its own grease.
- Remove foods from the Griddle using a flat plastic or wooden utensil. DO NOT use metal utensils as they may scratch and damage the non-stick cooking surface.
- Some meats create a lot of drippings. When cooking meat, be sure to periodically check the Drip Tray to prevent overflow.

CLEANING & MAINTENANCE

Before cleaning the BACON PRESS & GRIDDLE, ensure that the Drip Tray is free of grease, the unit is unplugged and all parts are cool to the touch.

NOTE: NEVER immerse the unit in water or any other liquid. DO NOT use harsh or abrasive cleaners.

1. Wash the Griddle Plates, Center Plate and Drip Tray in warm, soapy water and dry thoroughly. Center Plate is top rack dishwasher safe.
2. Wipe the main unit and exterior of the Doors with a slightly damp, non-abrasive cloth.
3. Once clean, replace the Center Plate and Drip Tray.

RECIPES

Use your BACON PRESS & GRIDDLE to create a variety of delicious meals, snacks and treats! Try adding bacon to your next salad, make a batch of cheesy bacon popcorn, or make a BLT sandwich. This unit also works great for making pancakes, breakfast sausages, and even hamburgers! The possibilities are endless!

RETURNS & WARRANTY

SHOULD YOUR UNIT NOT WORK OR IF DAMAGED WHEN YOU FIRST TAKE IT OUT OF THE BOX, PLEASE RETURN IT TO THE PLACE OF PURCHASE IMMEDIATELY.

BACON PRESS & GRIDDLE / FBG2

Should you have any questions, please contact us via email or at the customer service number listed below between the hours of 8:00 AM and 5:00 PM, Monday through Friday, Central Standard Time.

Distributed by:

Nostalgia Products LLC
1471 Partnership Dr.
Green Bay, WI 54304-5685
Customer Service
Phone: (920) 347-9122
Web: www.nostalgiaproducts.com

Customer Service Inquiry

To submit a Customer Service inquiry, go to www.nostalgiaproducts.com and fill out the Customer Service Inquiry form and click the Submit button.

A representative will contact you as soon as possible.

Product Warranty Terms

Nostalgia Products LLC (the "Company") hereby warrants that for a period of one (1) year from the date of original purchase, this product will be free of defects in material and workmanship under normal home use, provided that the product is operated and maintained in accordance with the operating instructions. As the sole and exclusive remedy under this warranty, the Company will at its discretion either repair or replace the product found to be defective, or issue a refund on the product during the warranty period. This warranty is only available to the original retail purchaser of the product from the date of initial retail purchase, and is only valid with the original sales receipt, as proof of purchase date is required to obtain warranty benefits. All warranty claims must be brought to the attention of the Company within the warranty period and no later than 30 days of the failure to perform. This warranty does not cover normal wear or damage caused by shipping, mishandling, misuse, accident, alteration, improper replacement parts, or other than ordinary household use. You may be required to return the product (with shipping prepaid by you) for inspection and evaluation. Return shipping costs are not refundable. The Company is not responsible for returns damaged or lost in transit. Unless otherwise specifically permitted by the operating instructions, this warranty applies to indoor household use only. In order to obtain service under this warranty, please contact the Company at the telephone number listed above or by filling out the Customer Service Inquiry Form located at www.nostalgiaproducts.com. Warranty valid only in USA and Canada.

This warranty is in lieu of all other warranties, expressed or implied, including warranties of merchantability and fitness for a particular purpose, which are hereby excluded to the extent permitted by law. In no event shall the Company be liable for any indirect, incidental, consequential, or special damages arising out of or in connection with this product or the use thereof. Some states, provinces or jurisdictions do not permit the exclusion or limitation of incidental or consequential damages, so the foregoing exclusion or limitation may not apply to you.

This warranty does not apply to re-manufactured merchandise.

Please read the operating instructions carefully. Failure to comply with the operating instructions will void this warranty.

For more information, visit us online at www.nostalgiaproducts.com.

Like us on Facebook at www.facebook.com/NostalgiaElectrics.

Follow our boards on Pinterest at www.pinterest.com/nostalgiaelctr.

Tweet along with us on Twitter at www.twitter.com/NostalgiaElctr.

¡Convierta todos los días en una fiesta!
Visite www.nostalgiaproducts.com y
encuentre más productos agradables.

CONTENIDO

SEGURIDAD	10
PROTECCIONES IMPORTANTES	11
PROTECCIONES IMPORTANTES ADICIONALES	11
INTRODUCCIÓN	12
PIEZAS Y ENSAMBLAJE	13
CÓMO UTILIZAR	14
CONSEJOS ÚTILES	16
LIMPIEZA Y MANTENIMIENTO	16
RECETAS	16
DEVOLUCIONES Y GARANTÍA	17

SEGURIDAD

Su seguridad y la seguridad de los demás es muy importante.

Hemos dado muchos mensajes de seguridad importantes en este manual y en el aparato. Siempre lea y cumpla con todos los mensajes de seguridad.



Este es el símbolo de alerta de seguridad.

Este símbolo le avisa de los peligros potenciales que pueden provocar serias lesiones a usted y a otros.

Todos los mensajes de seguridad seguirán al símbolo de alerta de seguridad.

Todos los mensajes de seguridad le indicarán cuál es el peligro potencial, cómo reducir la posibilidad de lesiones, y qué puede suceder si no sigue las instrucciones.

Appliance Specifications:

120 voltios, 60 Hz
900 vatios



ESTE PRODUCTO SÓLO DEBE USARSE CON UN TOMACORRIENTE DE 120V CA.

Visite www.nostalgiaproducts.com/user-manuals/ para ver el manual más actualizado.



PROTECCIONES IMPORTANTES

Una persona que no haya leído y comprendido todas las instrucciones de uso y seguridad no está calificada para utilizar este aparato. Todos los usuarios de este dispositivo deben leer y comprender este Manual de instrucciones antes de utilizar o limpiar este aparato.

Cuando utiliza aparatos eléctricos, siempre se deben seguir algunas medidas básicas de seguridad que incluyen las siguientes:

1. **Lea todas las instrucciones antes de utilizar este aparato.**
2. NO TOQUE las superficies calientes. Use agarraderas o mangos.
3. Este aparato NO ES UN JUGUETE.
4. Manténgalo fuera del alcance de los niños.
5. Sin supervisión los niños y las personas con discapacidad intelectual nunca deben usar este aparato.
6. Es necesaria una supervisión estricta cuando los niños utilicen el aparato o cuando se encuentren a su alrededor.
7. Como medida de protección contra el riesgo de descarga eléctrica, no sumerja el cable, los enchufes ni ninguna otra parte de la unidad en agua ni en otros líquidos.
8. No haga funcionar el aparato si están faltando piezas o si están rotas.
9. Desenchufe el aparato de la red cuando no lo esté utilizando, antes de retirar piezas y antes de su limpieza. Déjelo enfriar antes de colocar o retirar cualquiera de las piezas, y antes de la limpieza.
10. NO utilice ningún aparato con el cable o el enchufe dañados, ni si el aparato tiene desperfectos o SI se ha dañado de cualquier manera. Devolver el aparato al taller de reparación más cercano para su reparación o ajuste.
11. El fabricante no recomienda el uso de otros aditamentos o accesorios diferentes a los proporcionados por el fabricante. El uso de accesorios puede provocar lesiones.
12. NO utilice el aparato para otro uso que no sea el cual para el que está destinado.
13. NO lo utilice en exteriores. ÚNICAMENTE PARA USO INTERIOR
14. NO coloque el aparato sobre o cerca de un fogón de gas o eléctrico o dentro de un horno caliente.
15. NO coloque ninguna pieza de este aparato en un lavavajillas.
16. NO permita que el cable cuelgue sobre el borde de la mesa o del mostrador, ni que toque superficies calientes.
17. Para desconectar, mueva todos los controles a "off" y luego retire el enchufe del tomacorriente.



PROTECCIONES IMPORTANTES ADICIONALES

Precauciones de seguridad operativa

1. ¡Las puertas de la unidad estarán CALIENTES durante su uso! Asegúrese de no tocar las Puertas con los dedos o las manos. De ser necesario, use una agarradera para abrir.
2. NO coloque el tocino en la unidad sin la Placa de Cocción/Placas de la Puerta en su lugar. La grasa del tocino puede causar fallas en la unidad.
3. Evite los derrames de grasa comprobando siempre la bandeja de goteo antes de mover la unidad. Si la bandeja de goteo está llena, deseche correctamente la grasa antes de mover la unidad.

4. Utilice un utensilio de plástico o madera para retirar el tocino. Con el paso del tiempo, los utensilios de metal pueden dañar la superficie de cocción antiadherente de la placa de cocción.
5. Se recomienda usar la unidad con tocino de corte regular. Cierta carne del mercado o tocino de corte especial pueden ser muy gruesos para esta unidad.

Instrucciones para el cable eléctrico y el enchufe

1. El aparato tiene un enchufe polarizado (una patita más ancha). Se diseñó para reducir el riesgo de descarga eléctrica, dado que entra en un tomacorriente polarizado solo en una posición. **Si el enchufe no entra bien en la toma de corriente, déle la vuelta. Si aún así no entra, comuníquese con un electricista calificado. No trate de modificar el enchufe de ninguna manera.**
2. Se provee un cable de alimentación corto para reducir el riesgo resultante de enredarse o tropezar con un cable largo.
3. Si se utiliza un cable alargador o un cable de alimentación más largo:
 - Unos cables de extensión se pueden utilizar si se tiene cuidado con su uso.
 - Las características nominales del grupo de cables o del cable de extensión deben ser al menos iguales a las del aparato.
 - Cuando se utiliza un cable largo o cable de extensión, asegúrese de que el cable no sobresalga de la encimera ni una mesa ya que se puede halar o tropezarse con el cable involuntariamente
4. El fabricante no recomienda el uso de esta máquina en países que no admiten 120V CA incluso si se está usando un adaptador, transformador o convertidor de voltaje.

¡GUARDE ESTAS INSTRUCCIONES!

INTRODUCCIÓN

¡Gracias por comprar la PRENSA Y PARRILLA PARA TOCINO HomeCraft™! Este aparato fácil de usar es una forma más saludable de cocinar tocino a una perfección deliciosa. ¡Cocine fácilmente tocino regular o de corte grueso en apenas unos minutos, luego cocine huevos, panqueques, salchichas y más en la parrilla para completar su desayuno!

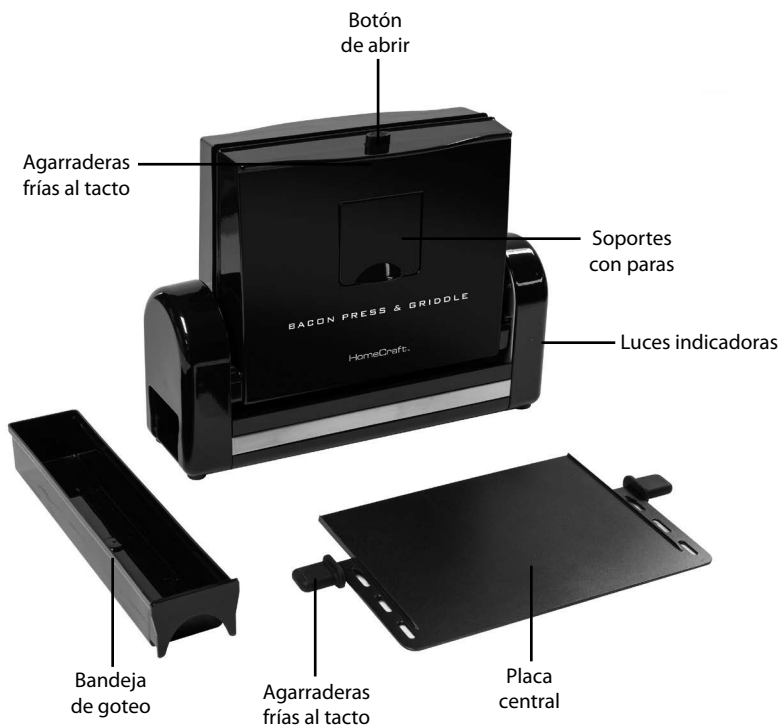
Las características incluyen:

- Las placas de la parrilla accionadas por resorte cocinan tocino regular o de corte grueso en apenas unos minutos
- La cocción vertical drena la grasa del tocino en una bandeja de goteo deslizable
- La placa central antiadherente se retira para una limpieza sencilla
- Soporte con patas integradas para una mayor estabilidad
- Luces indicadoras de encendido y precalentamiento
- Agarraderas frías al tacto
- La unidad se pliega verticalmente para un almacenamiento ordenado

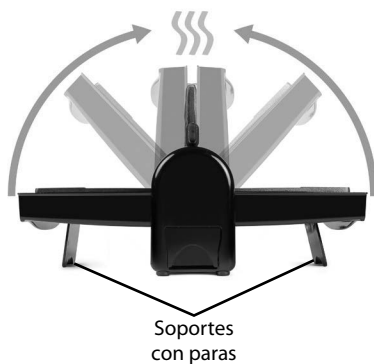
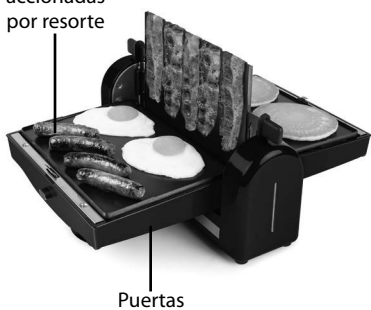
PIEZAS Y ENSAMBLAJE

PARTES

Antes de usarlo, asegúrese de retirar la etiqueta exterior que se encuentra en la puerta del BACON EXPRESS. Si no se retira esta etiqueta antes de usar el aparato, será más difícil retirarla más tarde.



Placas de parrilla accionadas por resorte



CÓMO UTILIZAR

Primero, encuentre una superficie estable cerca de una toma de corriente. Asegúrese de que el cable esté alejado de una fuente de agua, y que la Placa de Cocción y la Placa Central y la Bandeja de Goteo estén colocadas correctamente.

Cómo cocinar el tocino

1. En la posición cerrada, enchufe el cable en el tomacorrientes eléctrico. Para indicar el encendido, la mitad superior y la mitad inferior de la luz indicadora se encenderá en rojo y azul.
2. Deje precalentar la unidad. Al finalizar el precalentamiento, la mitad superior de la luz indicadora se apagará.
3. Abra con cuidado las Puertas de la unidad usando las Agarraderas frías al tacto. Asegúrese de que las Puertas se apoyen en los soportes con patas para garantizar la estabilidad.
PRECAUCIÓN: ¡Las puertas estarán calientes! Asegúrese de no tocar las puertas con los dedos o las manos. De ser necesario, use agarraderas para abrir las puertas.
4. Coloque tiras de tocino, con una separación uniforme, sobre la Placa Central. El número de tiras de tocino para colocar en la unidad puede variar de acuerdo con el espesor y ancho de cada tira.
SUGERENCIA DE COCCIÓN: Para obtener mejores resultados, no sobrecargue con tiras de tocino.
PRECAUCIÓN: NO coloque el tocino en la unidad sin la Placa Central en su lugar.
5. Use las Agarraderas frías al tacto para cerrar las Puertas.
NOTA: Una pequeña brecha en las puertas es normal y necesaria ya que permite la ventilación del vapor de tocino durante la cocción.



6. Deje cocinar el tocino.
SUGERENCIA DE COCCIÓN: Compruebe con frecuencia la consistencia del tocino para que no se cocine en exceso.
PRECAUCIÓN: Se genera vapor durante el uso que podría causar quemaduras u otras lesiones. Manténgase alejado del vapor al abrir las Puertas.
7. Cuando el tocino esté cocinado según sus preferencias, abra las Puertas de la unidad y use pinzas o un tenedor para retirar con cuidado el tocino de la Placa Central. Asegúrese de que las Puertas se apoyen en los soportes con patas para garantizar la estabilidad.
NOTA: Se recomienda usar utensilios de plástico o madera al retirar el tocino. Con el paso del tiempo, los utensilios de metal pueden dañar la superficie de cocción antiadherente de la placa central.
8. Antes de cocinar más tocino, compruebe la Bandeja de goteo para asegurarse de que no necesita vaciarse.
NOTA: Evite los derrames de grasa comprobando siempre la bandeja de goteo antes de mover la unidad. Si la bandeja de goteo está llena,

deseche correctamente la grasa antes de mover la unidad.

9. Al terminar de usarla, desenchufe el cable de la toma eléctrica. Deje enfriar el aparato por completo antes de limpiar. Allow appliance to cool completely before cleaning.

Uso de la parrilla

1. Si desea retirar la Placa Central antes de comenzar a cocinar, use las Agarraderas frías al tacto.
2. En la posición cerrada, enchufe el cable en el tomacorrientes eléctrico. Para indicar el encendido, la mitad superior y la mitad inferior de la luz indicadora se encenderá en rojo y azul.
3. Deje precalentar la unidad. Mientras el aparato se precalienta, prepare los alimentos y los ingredientes para cocinar.
4. Al finalizar el precalentamiento, la mitad superior de la luz indicadora se apagará. Abra con cuidado las Puertas de la unidad usando las Agarraderas frías al tacto. Asegúrese de que las Puertas se apoyen en los soportes con patas para garantizar la estabilidad.
PRECAUCIÓN: ¡Las puertas estarán calientes! Asegúrese de no tocar las puertas con los dedos o las manos. De ser necesario, use agarraderas para abrir las puertas.
5. Comience a cocinar los alimentos. El tiempo de cocción variará dependiendo de los alimentos preparados.
PRECAUCIÓN: La superficie de cocción estará CALIENTE. Use agarraderas para horno para prevenir quemaduras.
6. Al terminar de usarla, desenchufe el cable de la toma eléctrica. Deje enfriar el aparato por completo antes de limpiar.
NOTA: Evite los derrames de grasa comprobando siempre la bandeja de goteo antes de mover la unidad. Si la bandeja de goteo está llena, deseche correctamente la grasa antes de mover la unidad.

CONSEJOS ÚTILES

Humo

Si la unidad comienza a producir humo al cocinar, puede deberse a acumulación de grasa. Con el fin de reducir la producción de humo, asegúrese de limpiar la placa de cocción y las placas de la puerta entre usos.

A veces, el vapor del tocino que se cocina puede confundirse con el ahumado. El vapor es ordinariamente incoloro y a veces produce una nube blanca que se disipa rápidamente, mientras que el humo tiende a ser ligeramente coloreado por sus partículas y se suspende en el aire.

Es normal que el vapor se escape por el hueco pequeño de las puertas cerradas.

Consejos para la cocción

- Para obtener mejores resultados, asegúrese de que el tocino no se superponga y las tiras tengan una separación uniforme. El tocino se reducirá al cocinarse.
- De acuerdo con el tipo de tocino, si el tocino es demasiado largo y toca las Placas de la puerta, los extremos del tocino deberán recortarse para poder colocarlo en la Placa central. Use un cuchillo o tijera de cocina para cortar los extremos del tocino.
- Para ciertos tipos de tocino, algunas personas pueden encontrar útil dar vuelta el tocino durante los últimos 1-3 minutos de cocción.
- El tocino frío puede tomar algo más de tiempo en cocinarse que el tocino a temperatura ambiente, y puede ser más propenso a ahumarse durante el proceso de cocción. Es mejor permitir que el tocino se asiente a temperatura ambiente durante 15 minutos antes de cocinar.
- Tenga en cuenta que este electrodoméstico drena la grasa del tocino, así que el tocino puede no verse tan chocolate y crujiente como cuando se fríe el mismo en el sartén en su propia grasa.
- Retire los alimentos de la parrilla con un utensilio plano de plástico o madera. NO utilice utensilios de metal, ya que podría rallar o dañar la superficie de cocción antiadherente.
- Algunas carnes gotean excesivamente. Al cocinar carne, asegúrese de comprobar periódicamente la bandeja de goteo para impedir el desborde.

LIMPIEZA Y MANTENIMIENTO

Antes de limpiar la PRENSA Y PARRILLA PARA TOCINO, asegúrese de que la bandeja de goteo esté libre de grasa, la unidad esté desenchufada y todas las partes estén frías al tacto.

NOTA: NUNCA sumerja la unidad en agua o cualquier otro líquido. NO utilice limpiadores fuertes o abrasivos.

1. Lave las Placas de la parrilla, la Placa central y la Bandeja de goteo en agua tibia con jabón y seque bien. La Placa central puede colocarse en el estante superior del lava vajillas.
2. Limpie la unidad principal y el exterior de las Puertas con un paño no abrasivo, ligeramente húmedo.
3. Una vez limpias, vuelva a colocar la Placa central y la Bandeja de goteo.

RECETAS

¡Use su PRENSA Y PARRILLA PARA TOCINO para crear una variedad de comidas deliciosas, bocadillos y postres! Pruebe agregar tocino a su próxima ensalada, prepare palomitas de maíz con queso y tocino o un sándwich con tocino, lechuga y tomate. ¡Esta unidad también es ideal para preparar panqueques, salchichas para el sayuno e incluso hamburguesas! ¡Las posibilidades son infinitas!

DEVOLUCIONES Y GARANTÍA

SI LA UNIDAD NO FUNCIONA O ESTÁ DAÑADA AL SACARLA POR PRIMERA VEZ DE LA CAJA, DEVUÉLVALA AL LUGAR DE COMPRA INMEDIATAMENTE.

PRENSA Y PARRILLA PARA TOCINO / FBG2

Si tiene preguntas, contacte con nosotros por correo electrónico o por el número telefónico de servicio al cliente que aparece a continuación en el horario de 8:00 AM a 5:00 PM, de lunes a viernes, Hora Estándar del Este.

Distribuida por:

Nostalgia Products LLC
1471 Partnership Dr.
Green Bay, WI 54304-5685
Servicio al cliente
Teléfono: (920) 347-9122
Web: www.nostalgiaproducts.com

Solicitud de servicio al cliente

Para enviar una solicitud al Servicio al Cliente, vaya a www.nostalgiaproducts.com, llene el formulario de Solicitud de Servicio al Cliente y haga clic en el botón Enviar.

Un representante le contactará tan pronto como sea posible.

Términos de garantía del producto

Por este medio, Nostalgia Products LLC (la "Compañía") garantiza que por un período de un (1) año a partir de la fecha de compra original, este producto estará sin defectos en cuanto a materiales y mano de obra en uso normal en casa, siempre que el producto se maneje y mantenga de acuerdo con las instrucciones de manejo. Como único y exclusivo remedio en virtud de esta garantía, la Compañía, a su discreción, podrá optar por reparar o sustituir el producto que se encuentre defectuoso, o emitir un reembolso por el producto durante el período de garantía. Esta garantía sólo está disponible para el comprador original minorista del producto a partir de la fecha inicial de compra al por menor, y sólo es válida con el recibo de compra original, y como prueba de la fecha de compra, es necesario obtener los beneficios de la garantía. Todos los reclamos de garantía deben hacerse a la atención de la Compañía dentro del período de garantía y no más tarde que 30 días desde la imposibilidad de realizarlo. Esta garantía no cubre el desgaste normal o daños ocasionados por el embarque, malos manejos, mal uso, accidentes, alteración, piezas de cambio incorrectas, o algo distinto al uso doméstico normal. Es posible que deba devolver el producto (con los gastos de envío pagados por usted) para inspección y evaluación. Los costos de envío no son reembolsables. La empresa no se hace responsable por devoluciones dañadas o perdidas en tránsito. A menos que se indique lo contrario específicamente permitido por las instrucciones de manejo, esta garantía sólo se aplica al uso en interiores de las viviendas. Para realizar una reparación bajo esta garantía, comuníquese con la Compañía mediante el número de teléfono indicado anteriormente o al llenar el formulario de consulta para el servicio de Atención al Cliente en www.nostalgiaproduct.com. El período de garantía sólo es válido en EE.UU. y Canadá.

Esta garantía está en lugar de cualquier otra garantía, expresa o implícita, incluso las garantías de comerciabilidad y conveniencia para un propósito en particular, que quedan excluidas en la medida permitida por la ley. En ningún caso la compañía será responsable de cualquier daño indirecto, incidental, consecuente, especial o daños que surjan o estén relacionados con este producto o la utilización del mismo. Algunos estados, provincias o corregimientos no permiten la exclusión o la limitación de daños incidentales o consecuentes, por lo que la exclusión o la limitación anterior quizás no se aplique a usted.

Esta garantía no se aplica a mercancía reelaborada.

Lea las instrucciones de manejo cuidadosamente. El incumplimiento de las instrucciones de manejo anulará esta garantía.

Para obtener más información, visítenos en línea en www.nostalgiaproducts.com.

Me Gusta en Facebook en www.facebook.com/NostalgiaElectrics.

Siga nuestros consejos sobre Pinterest en www.pinterest.com/nostalgiaelctrx.

Tweet con nosotros en Twitter en www.twitter.com/NostalgiaElctrx.

Faire de tous les jours une fête !
Visite www.nostalgiaproducts.com
pour plus de produits amusants.

TABLE DES MATIÈRES

SÉCURITÉ	18
PRÉCAUTIONS IMPORTANTES	19
PRÉCAUTIONS IMPORTANTES ADDITIONNEL	19
INTRODUCTION	20
PIÈCES ET ASSEMBLAGE	21
COMMENT FAIRE FONCTIONNER	22
CONSEILS UTILES	24
NETTOYAGE ET ENTRETIEN	24
RECETTES	24
RETOURS ET GARANTIE	25

SÉCURITÉ

Votre sécurité est très importante, ainsi que celle des autres.

Nous avons fourni de nombreux messages de sécurité importants dans ce manuel et sur votre appareil. Toujours lire et respecter les consignes de sécurité.



Ceci est le symbole d'alerte de sécurité.

Ce symbole vous signale les dangers potentiels qui peuvent causer des blessures graves pour vous et les autres.

Tous les messages de sécurité suivront le symbole d'alerte de sécurité.

Tous les messages de sécurité vous diront quel est le danger potentiel et vous diront comment réduire le risque de blessure et vous diront ce qui peut arriver si les instructions ne sont pas suivies.

Spécifications de l'appareil :

120 Volts, 60 Hz
900 Watts

CE PRODUIT EST DESTINÉ POUR UNE PRISE DE 120V AC UNIQUEMENT.

Se référer au site www.nostalgiaproducts.com/user-manuals/
pour la version la plus récente.



PRÉCAUTIONS IMPORTANTES

Une personne qui n'a pas lu et compris toutes les instructions de fonctionnement et de sécurité n'est pas qualifiée pour faire fonctionner cet appareil. Tous les utilisateurs de cet appareil doivent lire et comprendre ce mode d'emploi avant d'utiliser ou de nettoyer cet appareil.

Lorsque l'on utilise un appareil électrique, il faut toujours respecter les précautions de base, y compris celles-ci :

1. **Lisez toutes les instructions avant d'utiliser cet appareil.**
2. NE PAS TOUCHER AUX surfaces chaudes. Utiliser les poignées ou les boutons.
3. Cet appareil n'est PAS UN JOUET.
4. Les jeunes enfants et les personnes déficientes cognitivement non supervisés ne devraient jamais faire fonctionner cet appareil.
5. Une surveillance étroite est nécessaire lorsque tout appareil est utilisé par ou à proximité des enfants.
6. Pour protéger contre les chocs électriques ne pas submerger le cordon, la fiche ni aucune partie de cet appareil dans l'eau ou d'autres liquides.
7. Toujours débrancher la prise lorsque l'appareil n'est pas en fonctionnement, avant de retirer les pièces et faire le nettoyage. Laisser refroidir avant de remettre ou de retirer les pièces et avant de faire le nettoyage.
8. NE PAS utiliser l'appareil ni avec un cordon ou une fiche électrique endommagés, ni suivant un dysfonctionnement ou une détérioration quelconque. Retournez l'appareil à l'atelier de réparation le plus proche pour examen, réparation ou réglage.
9. Le fabricant ne recommande pas l'utilisation d'accessoires autres que ceux fournis par le fabricant. L'utilisation d'accessoires peut causer des blessures.
10. NE PAS utiliser cet appareil pour toute autre utilisation pour laquelle il n'a pas été conçu.
11. NE PAS utiliser l'appareil à l'extérieur. POUR USAGE DOMESTIQUE SEULEMENT.
12. NE PAS placer sur ou près d'un brûleur à gaz ou électrique ou dans un four chauffé.
13. NE JAMAÏS laisser le cordon dépasser sur le côté d'une table ou d'un comptoir ou toucher des surfaces chaudes.
14. NE JAMAÏS laisser l'appareil sans surveillance pendant son utilisation ou lorsqu'il est branché sur une prise.
15. Une extrême prudence doit être utilisée pour déplacer un appareil contenant des liquides chauds.
16. Toujours brancher la prise de l'appareil tout d'abord, puis branchez dans la prise murale. Pour débrancher l'appareil, revenir sur le bouton « arrêt » (off), puis débrancher la fiche de la prise murale.

PRÉCAUTIONS IMPORTANTES ADDITIONNEL

Mesures de sécurité d'exploitation

1. Les portes de l'unité seront CHAUDES pendant l'utilisation! S'assurer que les doigts et les mains ne touchent pas les portes. Si nécessaire, utiliser une mitaine à four pour ouvrir.
2. NE PAS mettre le bacon dans l'unité sans que la plaque de cuisson / plaques de portes soient en place. La graisse du bacon peut causer un mauvais fonctionnement.

3. Éviter les déversements de graisse en vérifiant toujours le plateau d'égouttement avant de déplacer l'appareil. Si le plateau d'égouttement est plein, éliminez correctement la graisse avant de déplacer l'appareil.
4. Utilisez un ustensile en plastique ou en bois pour retirer le bacon. Au fil du temps, des ustensiles en métal peuvent endommager la surface de cuisson anti-adhésive de la plaque de cuisson.
5. L'unité est recommandée pour une utilisation avec du bacon à la coupe normale. Certains bacons de viande ou de spécialité coupés peuvent être trop épais pour cette unité.

Instructions pour le cordon électrique et la prise

1. Cet appareil possède une fiche polarisée (une lame est plus large que l'autre). Pour réduire le risque de choc électrique, cette fiche est conçue pour s'insérer dans une prise polarisée qu'une seule façon. **Si la fiche ne s'enfonce pas complètement dans la prise, la brancher dans l'autre sens. Si elle ne s'enfonce toujours pas, contactez un électricien qualifié. Ne pas essayer de modifier la fiche de quelque façon que ce soit.**
2. Un court cordon d'alimentation est fourni pour réduire les risques d'enchevêtrement ou risques de trébucher sur un cordon plus long.
3. Si un cordon d'alimentation amovible ou une rallonge est utilisée :
 - Vous pouvez utiliser des rallonges si vous les utilisez avec soin.
 - Les caractéristiques électriques du câble ou de la rallonge doivent être au moins aussi grandes que la puissance nominale de l'appareil.
 - Lorsque vous utilisez une rallonge ou un cordon plus long, assurez-vous que le cordon ne pende pas par-dessus un comptoir ou une table où quelqu'un pourrait le tirer ou trébucher.
4. Le fabricant ne recommande pas l'utilisation de cette machine dans les pays qui ne supportent pas les tensions de 120V AC, même si un adaptateur de tension, un transformateur ou un convertisseur est utilisé.

CONSERVER CES INSTRUCTIONS !

INTRODUCTION

Merci d'avoir acheté le HomeCraft™ PRESSE-BACON ET GRILLE DE CUISSON ! Cet appareil facile à utiliser est un moyen plus sain de cuire le bacon à la perfection. Faites cuire facilement du bacon ordinaire ou épais en quelques minutes seulement, puis faites cuire des œufs, des crêpes, des saucisses et plus encore sur la plaque de cuisson pour compléter votre petit-déjeuner!

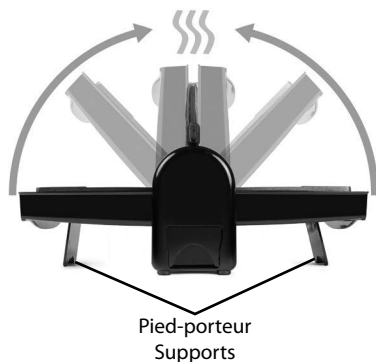
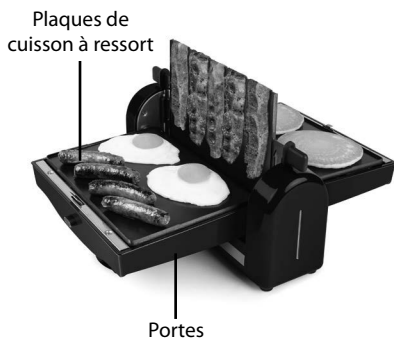
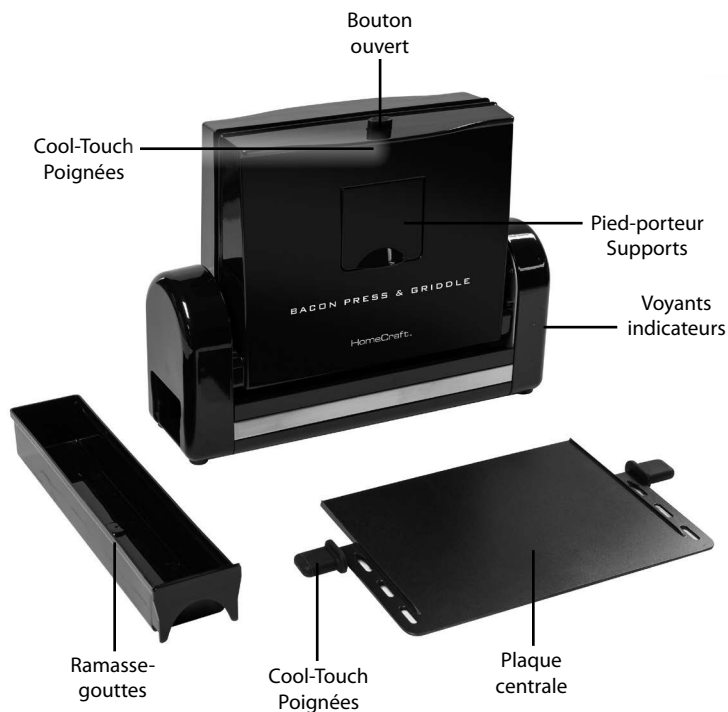
Caractéristiques principales :

- Des plaques chauffantes à ressort permettent de cuire du bacon ordinaire ou à la coupe épaisse en quelques minutes
- La cuisson verticale évacue la graisse de bacon dans le plateau d'égouttement coulissant
- La plaque centrale antiadhésive s'enlève pour un nettoyage facile
- Support de jambe intégré pour une stabilité accrue
- Voyants d'alimentation et de préchauffage
- Poignées froides
- L'unité se plie verticalement pour un rangement ordonné

PIÈCES ET ASSEMBLAGE

PIECES

Avant de l'utiliser, assurez-vous de retirer l'autocollant extérieur trouvé sur la porte de votre PRESSE-BACON ET GRILLE DE CUISSON. Si vous ne retirez pas cet autocollant avant d'utiliser l'appareil, il peut être plus difficile de le retirer ultérieurement.



COMMENT FAIRE FONCTIONNER

En premier lieu, trouver une surface stable près d'une prise électrique. Assurez-vous que le cordon est loin de toute source d'eau et que la plaque centrale et l'égouttoir sont bien en place.

Bacon de cuisson

1. En position fermée, branchez le cordon dans la prise électrique. Pour indiquer la puissance, la moitié inférieure et la moitié supérieure de la lumière indicatrice illumine le rouge et bleu.

2. Laisser l'appareil préchauffer. Une fois le préchauffage terminé, la moitié supérieure du voyant s'allume en bleu.

3. Tirer avec précaution pour ouvrir les portes à l'aide des poignées contact froides. Assurez-vous que les portes reposent sur les repose-jambes pour assurer la stabilité.

MISE EN GARDE : Les portes seront chaudes ! S'assurer que les doigts et les mains ne touchent pas les portes. Si nécessaire, utiliser une mitaine à four pour ouvrir.

4. Étendre des lanières de bacon uniformément espacées sur la plaque centrale. Le nombre de tranches de bacon à placer sur l'unité peut changer basé sur l'épaisseur et la largeur de chaque tranche.

CONSEIL DE CUISSON : Pour de meilleurs résultats, ne pas faire chevaucher les tranches de bacon.

MISE EN GARDE : NE PAS mettre le bacon dans l'unité sans que la plaque de cuisson / plaques de portes soient en place.

5. Utiliser les poignées de contact froides pour fermer les portes.

REMARQUE : Un petit espace dans les portes est à la fois normal et nécessaire car il permet à la vapeur du bacon de s'exhaler pendant la cuisson.



6. Laisser le bacon cuire.

CONSEIL DE CUISSON : Vérifiez fréquemment le degré de cuisson du bacon afin de ne pas trop le cuire.

MISE EN GARDE : Une vapeur se produit lors de l'utilisation ce qui pourrait causer des brûlures ou d'autres blessures. Rester éloigné de la vapeur quand vous ouvrez les portes.

7. Lorsque le bacon est cuit à votre guise, ouvrez les portes de l'appareil et utilisez une pince ou une fourchette pour retirer délicatement le bacon de la plaque centrale. Assurez-vous que les portes reposent sur les repose-jambes pour assurer la stabilité.

REMARQUE : Il est recommandé d'utiliser des ustensiles en plastique ou en bois pour enlever le bacon. Au fil du temps, des ustensiles en métal peuvent endommager la surface de cuisson anti-adhésive de la plaque de cuisson.

8. Avant de faire cuire plus de bacon, vérifier le plateau d'égouttement afin de s'assurer qu'il n'a pas besoin d'être vidé.

REMARQUE : Éviter les déversements de graisse en vérifiant toujours le plateau d'égouttement avant de déplacer l'appareil. Si le plateau d'égouttement est

plein, éliminez correctement la graisse avant de déplacer l'appareil.

9. Lorsque vous avez terminé, débrancher l'appareil de la prise de courant. Laissez l'appareil refroidir complètement avant de le nettoyer.

Utilisation de la plaque chauffante

1. Si vous souhaitez retirer la plaque centrale avant de commencer la cuisson, utilisez les poignées Cool-Touch.
2. En position fermée, branchez le cordon dans la prise électrique. Pour indiquer la puissance, la moitié inférieure et la moitié inférieure de la lumière indicatrice illumine le rouge et bleu.
3. Laissez l'appareil préchauffer. Pendant le préchauffage de l'appareil, préparez les aliments et les ingrédients à cuire.
4. Une fois le préchauffage terminé, la moitié supérieure du voyant s'éteint. Tirer avec précaution pour ouvrir les portes à l'aide des poignées contact froides. Assurez-vous que les portes reposent sur les repose-jambes pour assurer la stabilité.

MISE EN GARDE : Les portes seront chaudes ! S'assurer que les doigts et les mains ne touchent pas les portes. Si nécessaire, utiliser une mitaine à four pour ouvrir.

5. Commencez à cuisiner vos aliments. Le temps de cuisson varie en fonction de la nourriture préparée.

MISE EN GARDE : La surface de cuisson sera CHAUDE. Portez des gants isolants lors de l'utilisation pour éviter les brûlures.

6. Lorsque vous avez terminé, débrancher l'appareil de la prise de courant. Laissez l'appareil refroidir complètement avant de le nettoyer.

REMARQUE : Éviter les déversements de graisse en vérifiant toujours le plateau d'égouttement avant de déplacer l'appareil. Si le plateau d'égouttement est plein, éliminez correctement la graisse avant de déplacer l'appareil.

CONSEILS UTILES

Fumée

Si l'appareil commence à fumer pendant la cuisson, cela peut être dû à une accumulation de graisse. Afin de réduire la fumée, voir à nettoyer les plaques à cuisson et les plaques de portes entre les utilisations

Parfois, la vapeur de cuisson du bacon peut être confondue pour fumer. La vapeur est normalement incolore et produit parfois un nuage blanc qui se dissipe rapidement, tandis que la fumée a tendance à être légèrement colorée par ses particules et à se suspendre dans les airs.

Il est normal que de la vapeur s'échappe par le petit interstice des portes fermées.

Conseils de cuisson

- Pour de meilleurs résultats, assurez-vous que le bacon ne se chevauche pas et que les lanières sont régulièrement espacées. Le bacon rétrécira à la cuisson.
- Selon le type de bacon, si celui-ci est trop long et si vous touchez les plaques de porte, il peut être nécessaire de couper ses extrémités pour les ajuster à la plaque centrale. Employer un couteau ou ciseaux de cuisine pour couper les extrémités du bacon.
- Pour certains types de bacon, certains peuvent trouver bénéfique de le retourner pendant les 1 à 3 dernières minutes de cuisson.
- Le bacon froid peut prendre un peu plus de temps à cuire que le bacon à la température ambiante et peut être plus enclin à fumer pendant la cuisson. Il est préférable de laisser votre bacon à la température ambiante pendant 15 minutes avant la cuisson.
- N'oubliez pas que cet appareil draine la graisse du bacon. Son apparence peut donc ne pas sembler aussi brune et croustillante que lorsque vous faites frire du bacon dans sa propre graisse.
- Retirez les aliments de la plaque à l'aide d'un ustensile plat en plastique ou en bois. NE PAS utiliser d'ustensile en métal, car ils pourraient égratigner et endommager la surface de cuisson anti-adhésive.
- Certaines viandes créent beaucoup de jus de cuisson. Lors de la cuisson de la viande, vérifiez régulièrement le plateau d'égouttage pour éviter tout débordement.

NETTOYAGE ET ENTRETIEN

Avant de nettoyer le BACON EXPRESS, s'assurer que le plateau d'égouttement est exempt de graisse, que l'unité est débranché et que toutes les pièces sont froides au contact.

REMARQUE : NE JAMAIS immerger l'unité principale dans l'eau ou dans tout autre liquide. NE PAS employer des décapants durs ou abrasifs.

1. Lavez les plaques de la plaque chauffante, la plaque centrale et le plateau d'égouttement dans de l'eau chaude savonneuse et laissez sécher complètement. La plaque centrale va au lave-vaisselle.
2. Essuyez l'unité principale et l'extérieur des portes avec un chiffon légèrement humide et non abrasif.
3. Une fois nettoyé, remplacez la plaque centrale et le plateau d'égouttage.

RECETTES

Utilisez votre presse-BACON ET GRILLE DE CUISSON pour créer une variété de délicieux repas, collations et friandises! Ajoutez du bacon à votre prochaine salade, préparez un lot de maïs soufflé au bacon au fromage ou préparez un sandwich BLT. Cet appareil fonctionne également très bien pour préparer des crêpes, des saucisses pour le petit-déjeuner et même des hamburgers ! Les possibilités sont infinies !

RETOURS ET GARANTIE

SI VOTRE APPAREIL NE FONCTIONNE PAS OU S'IL EST ENDOMMAGÉ QUAND VOUS LE RETIREZ DE LA BOÎTE, VEUILLEZ LE RETOURNER IMMÉDIATEMENT À L'ENDROIT OÙ IL A ÉTÉ ACHETÉ.

PRESSE-BACON ET GRILLE DE CUISSON / FBG2

Pour toute question, communiquer par courriel ou au numéro de téléphone du service à la clientèle, entre 08 h 00 et 17 h 00, du lundi au vendredi, heure normale du Centre.

Distribué par :

Nostalgia Products LLC
1471 Partnership Dr.
Green Bay, WI 54304-5685
Service à la clientèle
Téléphone : (920) 347-9122
Site Web : www.nostalgiaproducts.com

Demande pour le service à la clientèle

Pour soumettre une demande au service à la clientèle, rendez vous au www.nostalgiaproducts.com puis remplissez le formulaire de demande au service à la clientèle puis cliquez sur le bouton Soumettre.

Un représentant vous contactera dès que possible.

Conditions de garantie du produit

Le groupe Nostalgia Products LLC (référé tel « l'Entreprise ») garantit que pour une période d'un (1) an en date d'achat, ce produit est sans défaut de matériel et de fabrication selon une utilisation normale à domicile, seulement si le fonctionnement et l'entretien du produit sont conformes aux directives fournies. À titre de réparation exclusive et entière sous cette garantie, l'Entreprise pourra à sa discrétion, réparer ou remplacer le produit défectueux, voire émettre un remboursement du produit durant la période couverte sous garantie. Cette garantie n'est disponible seulement qu'à l'acheteur d'origine du produit, en date d'achat au détail dudit produit et sera valide uniquement avec le reçu de caisse d'origine, à titre de preuve d'achat, lequel est requis pour obtenir les bienfaits reliés à cette garantie. Toute réclamation doit être rapportée à l'attention de l'Entreprise dans la fenêtre de la période de la garantie, sans dépasser 30 jours à défaut de performance. Cette garantie ne couvre pas l'usure normale ou dommage cause par l'expédition, la mauvaise manipulation, la mauvaise utilisation, les accidents, les modifications, les mauvaises pièces de remplacement, voire toute autre utilisation anormale du produit à domicile. Il est possible que vous ayez à retourner le produit (avec les frais de retour prépayés par vous) pour une inspection et une évaluation. Les frais des coûts de retour ne sont pas remboursables. L'Entreprise n'est aucunement responsable pour les retours endommagés ou perdus en transit. Autrement que spécifiquement permis selon les directives de fonctionnement, cette garantie s'applique à une utilisation à domicile à d'intérieur seulement. Afin d'obtenir un service couvert sous cette garantie, veuillez contacter l'Entreprise au numéro de téléphone inclut ci-haut ou en remplissant le formulaire de demande au service à la clientèle, sur le site www.nostalgiaproducts.com. La garantie est valide seulement aux États-Unis et au Canada.

Cette garantie prévaut toute autre garantie, expresse ou implicite incluant les garanties de qualité marchande ou ayant une aptitude pour une intention en particulier, lesquelles sont exclues selon la loi. Sous aucun prétexte l'Entreprise ne pourra être tenue responsable pour tout dommage indirect, accidentel, consécutif ou spécial provenant de ou en relation avec ce produit ou son utilisation. Certains états, provinces ou juridictions n'allouent pas l'exclusion ou la limitation de tels dommages accidentels ou consécutifs, donc l'exclusion ou limitation suscitée peut ne pas s'appliquer à vous.

Cette garantie ne s'applique pas à la marchandise de renaissance.

Veillez lire les directives de fonctionnement attentivement. Ne pas se conformer aux directives de fonctionnement annulera cette garantie.

Pour plus d'informations, visitez notre site Web à www.nostalgiaproducts.com.

Aimez-nous sur Facebook à l'adresse [www.facebook.com / NostalgiaElectrics](http://www.facebook.com/NostalgiaElectrics).

Suivez nos conseils sur Pinterest à [www.pinterest.com / nostalgiaeLctrx](http://www.pinterest.com/nostalgiaelctrx).

Tweet avec nous sur Twitter à l'adresse [www.twitter.com / NostalgiaElctrx](http://www.twitter.com/NostalgiaElctrx).

