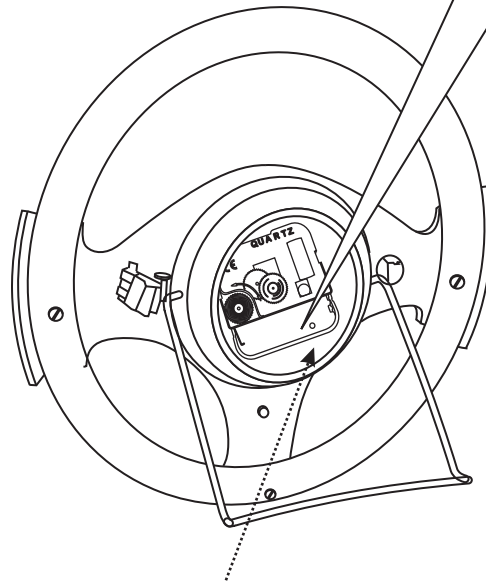
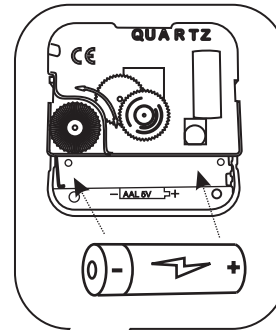
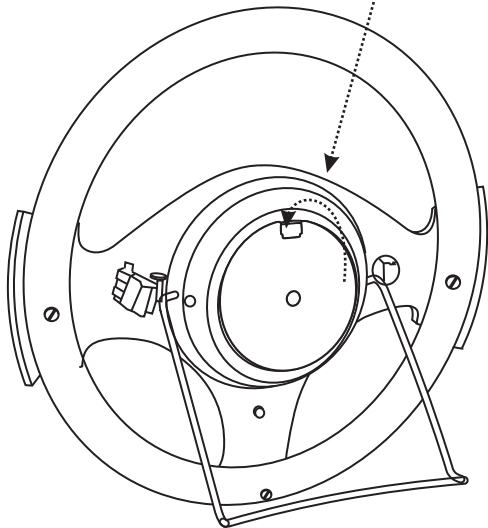


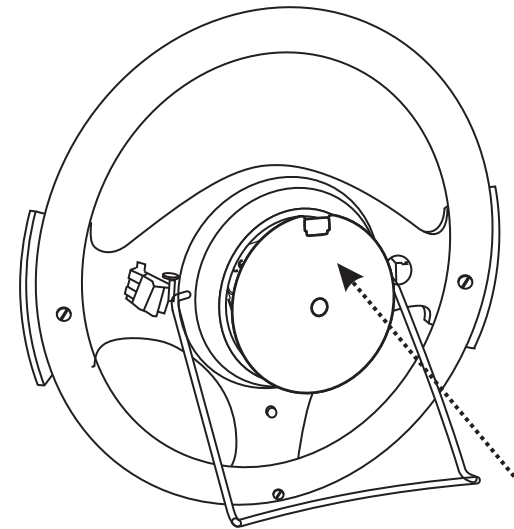
# ASSEMBLY INSTRUCTION

## BATTERY INSTALATION

OPEN THE BACK COVER  
BY GENTLY PUSHING THE  
BUTTON DOWNWARDS



ADJUST TIME BY GENTLY  
ROTATING THE ROUND  
TIME ADJUSTMENT KNOB



## COMPLETE PIECE

CLOSE THE BACK COVER  
BY GENTLY PUSHING THE  
BACK COVER

