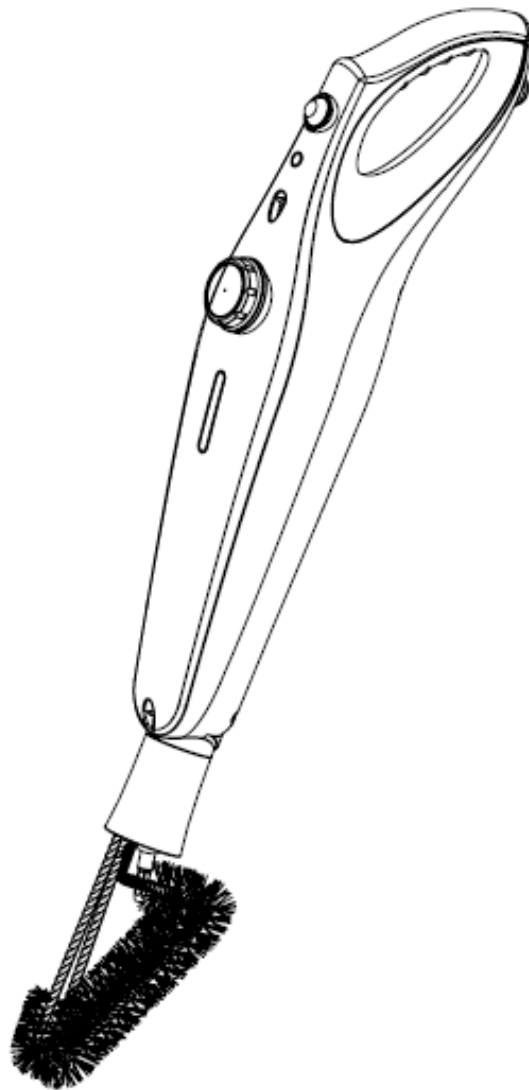


# sienna<sup>®</sup>

SGC-2018 Grilltastic

SGC-2018P Grilltastic Plus



INSTRUCTION MANUAL

## **Introduction**

Thank you for choosing Sienna for your cleaning needs. Our steam products use the active power of steam to clean without the use of chemicals, making it a green product that is safe for the ecosystem. You have begun the first step into transforming your house into a green, environmentally safe home. Our Sienna steam products are a modern way of cleaning that is efficient and far more sanitary than conventional methods.

Sienna Grilltastic is the world's most powerful steam grill cleaner. Grilltastic delivers a powerful stream of 1500 Watts of steam that removes grease, grime, and germs. In less than 30 seconds, 212° F of hot powerful steam will degrease and sanitize your grill. Combined with the heavy duty stainless steel grill brush, Grilltastic ensures your grill is safe from harmful bacteria, while enhancing the overall flavors of your food!

## Safety Guidelines

The Sienna Grilltastic SGC-2018 is for domestic use only. **Any commercial use will void warranty.** Grilltastic is compatible with grills of all types including charcoal grills, smokers, propane grills, electric grills, portable, round, and square! The Grilltastic can be used on all types of grill grates, from porcelain steel, stainless steel, cast iron, and MORE!



**WARNING:** Be sure to read and follow all safety instructions before using your Grilltastic. Proper care and maintenance will help expand the life of your BBQ Steamer.

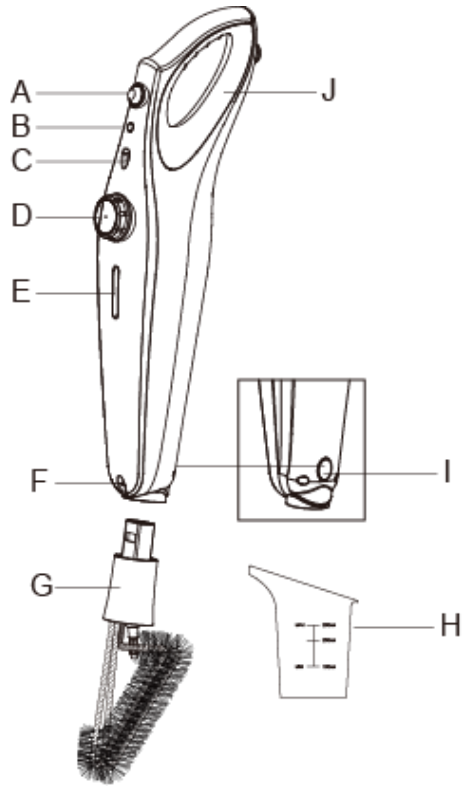
When using an electrical appliance, basic precautions should always be followed. To reduce the risk of fire, electric shock, or injury:

- Carefully read all instructions prior to use.
- Be sure to unplug the electrical cord when appliance is not in use.
- The steamer is not intended for use by persons (including children) with reduced physical, sensory, mental capabilities or lack of experience and knowledge unless they have been instructed to do so by a person responsible for their safety.
- Do not leave the appliance unattended while plugged in.
- Children should be supervised at all times and cautioned that the steamer is not a toy and should not be played with.
- Do not direct steam towards people, pets, or electrical outlets.
- Do not immerse the steamer in water or other liquids.
- Do not handle steamer with wet hands.
- Do not pull power cord or use cord as a handle.
- Be sure to keep cord away from heat, water, and sharp edges.
- Do not use if cord or plug is damaged. If the power cord is damaged, it must be replaced by the manufacturer.

- Do not use extension cords or outlets with inadequate current carrying capacity.
- Never put additives such as cleaning detergents or chemicals into the water tank. It will make the product unsafe and damage the unit as well as be dangerous to use.
- Use only manufacturer's recommended accessories.
- Stop using steamer if circuit breaker activates. Beware of risk of shock.
- Allow your steamer to cool down before storing in a cool, dry place.
- Keep stainless steel brush attachment in a dry safe place, prevent children from touching.

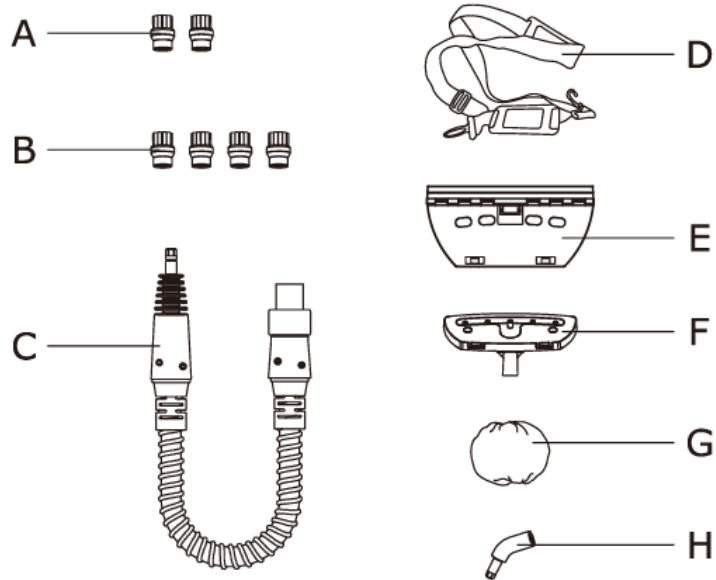
NOTE: To ensure only the highest quality products are produced, Sienna has pre-tested all steamers. This is why you may see some water condensation on the inside of the water tank.

## Key Features



- A. Steam on/off button
- B. Power indicator light
- C. Upper shoulder strap attachment (designed for SGC-2018P)
- D. Water tank cap
- E. Water tank window
- F. Lower shoulder strap attachment (designed for SGC-2018P)
- G. Stainless steel brush attachment with built-in steam nozzle
- H. Refill cup
- I. Release button
- J. Ergonomic handle

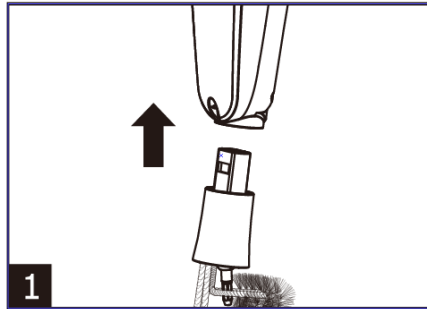
## Accessory Kit (SGC-2018P Model Only)



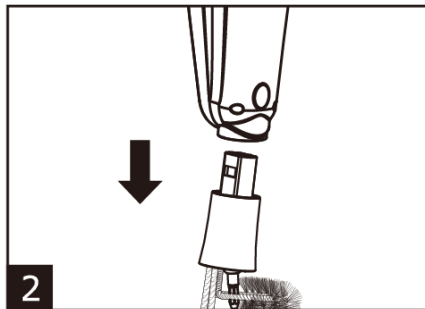
- A. 2 Brass brushes
- B. 4 Nylon brushes
- C. Extension hose
- D. Shoulder strap
- E. Window squeegee
- F. Steam head
- G. Small micro-fiber pad
- H. Angle concentrator nozzle

## Assembly and Use

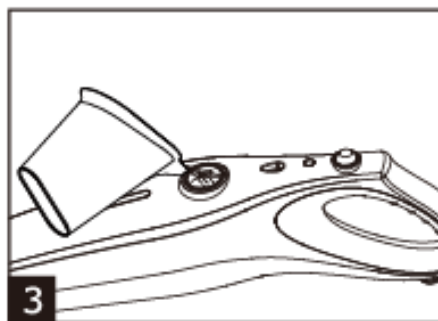
1. Attach the stainless steel brush to the steamer by inserting brush port (G) into steamer body, until it firmly clicks into place.



2. To disconnect the Stainless steel brush (G) or other attachments (accessory kit optional) press the release button (I) at the bottom back of the steamer body and carefully pull off brush or accessories.



3. Unscrew the water tank cap (D) and fill water tank with water by using the refill cup (H), fill refill cup to the 280ml/8.45 fl oz mark. Replace water tank cap (D) and tighten until snug prior to use.



NOTE: To ensure only the highest quality products are produced, Sienna has pre-tested all steamers. This is why you may see some water condensation on the inside of the water tank.

Note: Use only water! Do not use soap or solutions in steamer. The steamer does not require distilled water. However it is recommended residents in areas with hard water should use distilled water for better performance.

4. Plug power cord into wall outlet. The Power Indicator light (B) will illuminate solid red.

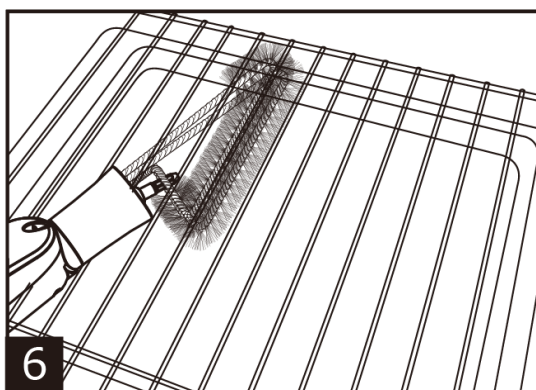
NOTE: It is recommended that another high wattage appliance is not operated on the same circuit to avoid a circuit overload.

5. Press the steam on/off button (A) to generate continuous steam.

NOTE: Steam ready in less than 30 seconds. You may notice water dripping from the steamer this is normal. Grilltastic can be used on a hot or cold grill. No need to preheat your grill.

6. Now your Grilltastic is ready to use. Apply light pressure on ergonomic handle (J), using a front to back motion in the direction of the grill grates until your grill is free of grease and grime.

NOTE: During steam use, you may notice a decrease in steam pressure followed by an increase in pressure due to the water pump priming. This is normal.



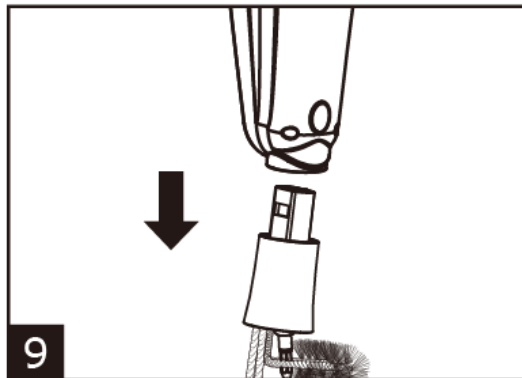


7. When steamer stops emitting steam, simply refill the water tank and continuing steaming. No Cooldown time required.



Warning: Never operate the steamer without water.

8. When finished cleaning press the steam on/off button (A), unplug power cord from outlet. Be sure to empty water tank and store in cool dry place away direct sunlight. The ergonomic handle allows for easy storage near grill or in garage.
9. The stainless steel brush attachment is dishwasher safe. To remove stainless steel brush attachment (G), press and hold release button (I) and carefully remove the brush attachment.



Use EXTREME CAUTION when handling the stainless steel brush attachment (G). Bristles are very sharp.

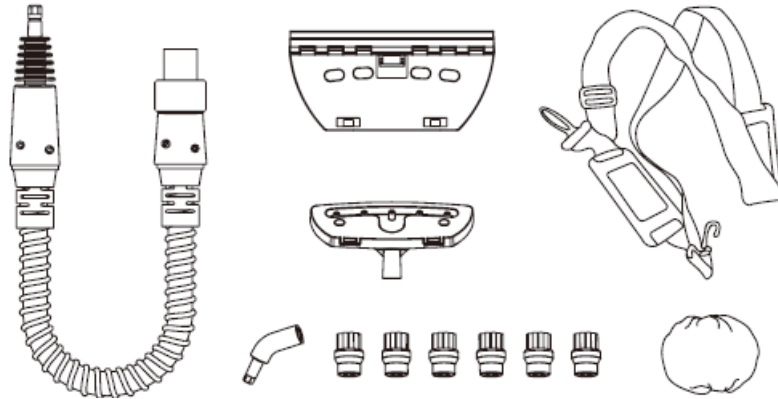


Warning: Grill bristles may detach or become loose during use and cause injury if ingested. Check your brush and grill frequently, and discard brush with loose bristles or other damages

To order replacement stainless steel brush attachment please visit our website at:


[www.siennadirect.com](http://www.siennadirect.com)

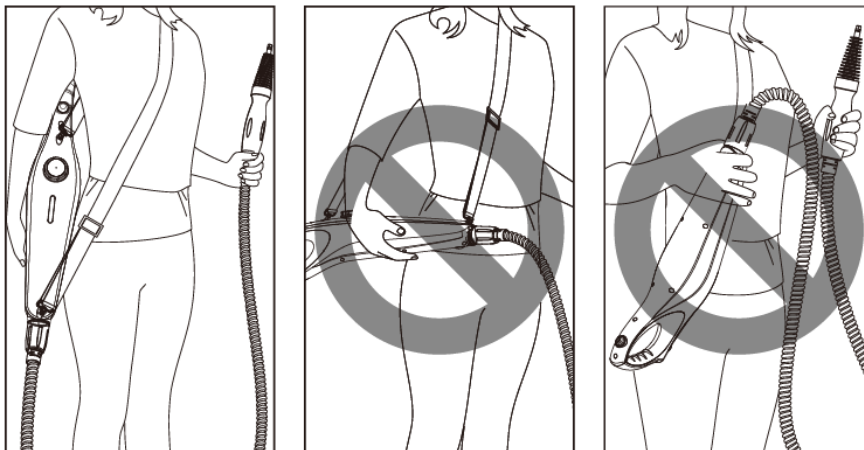
## Plus (Accessory Kit)



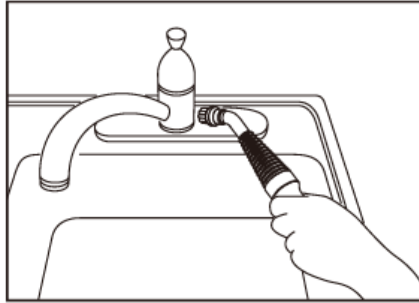
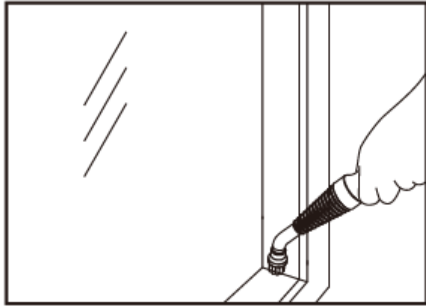
 Warning: Steamer must be turned off in order to switch to a multi-purpose steam cleaner

1. Shoulder strap (D) - Attach strap to steamer body to convert Grilltastic into a multi-purpose steam cleaner. Adjust your strap to a comfortable length where the steamer body and extension hose is vertical to the floor.

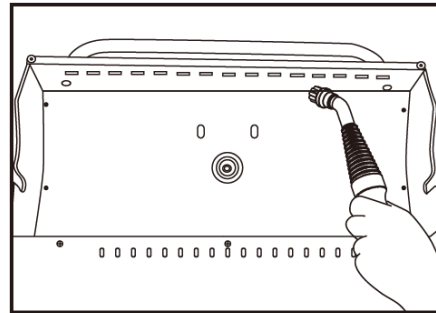
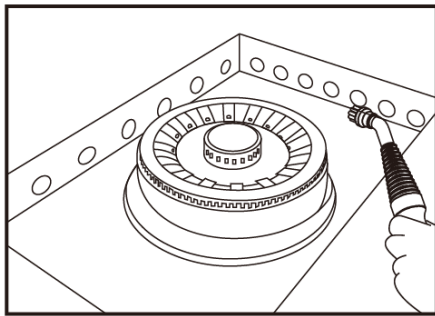
 Warning: Be sure that the steamer body is facing upright with Sienna logo facing downwards to the floor allowing the steamer to steam properly. You may notice slight dripping from extension hose. This is normal due to build-up of condensation.



2. Nylon brush (B) – Attach brush onto either the extension hose nozzle (C) or the angle concentrator nozzle (H) for cleaning in hard to reach places. Use in places such as window sills, sliding door sills, outdoor sinks, patio furniture, and more!

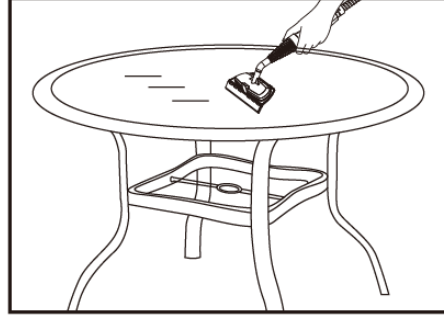
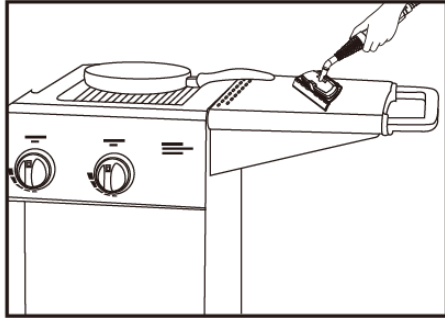


3. Brass brush (A) - Use the brass brush in the same way as the nylon brush, but use on tough surfaces that won't scratch such as BBQ side burners, rotisserie burner, and inside of BBQ hood liner.

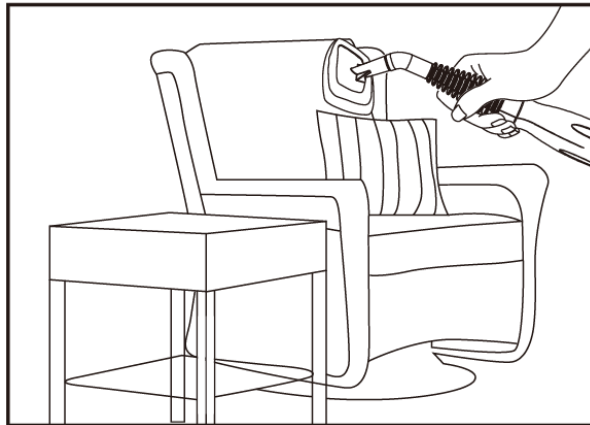


4. Window squeegee (E)- Attach squeegee to steam head (F) for cleaning windows, outdoor glass patio tables, food prep BBQ side stations and more!





5. Angle concentrator nozzle (H) – This attachment is used for hard to reach places that you need to get to with an angle. Both nylon and brass brush work best when using this attachment.
6. Steam Head with small cloth pad (F) and (G) - Attach the steam head to the extension hose and add the small cloth pad to steam clean surfaces such as patio furniture, outdoor patio cushions, and side tables.



7. Extension hose (C) - Use this 6ft hose to assist with all the attachments to make steam cleaning easier!

## **CLEANING AND MAINTENANCE**



Caution: Prior to cleaning or maintaining your steamer, isolate the unit by removing the cord from the outlet and avoid immersing the unit in water.



Use EXTREME CAUTION when handling the stainless steel brush attachment (G). Bristles are very sharp.

1. Only Brush attachment is dishwasher safe. Do not put steamer in dishwasher. Do not immerse steamer in water.
2. Wipe steamer and accessories with soft cloth when/if necessary.
3. The cloth pad can be machine washed in hot water. Do not tumble dry. Do not iron. Allow to fully dry before use. Do not use bleach or fabric softener.

### **Product Specs:**

Voltage supply: 120V, 60 Hz

Output: 1500 W

Water tank capacity: max. 280ml./ 8.45 fl oz.

Cord: 5m / 16.4 Ft

Weight: 1.8kgs. / 3.96 lbs

Protection class: 2

## Customer Support

For problems with your Sienna Grilltastic, please refer to Troubleshooting guide. Additional inquiries should be directed to our Customer Service department by calling 1-888-574-3662 or by e-mail to: [customerservice@anvidproducts.com](mailto:customerservice@anvidproducts.com).

You may purchase replacement grill brush and accessory kit on our website at: [www.siennadirect.com](http://www.siennadirect.com).

## Troubleshooting

PROBLEM	SOLUTION
Power button on LED is not on	<ul style="list-style-type: none"><li>• Ensure steamer power cord is correctly plugged into a 120V AC power outlet only.</li><li>• Ensure circuit breaker is operational.</li><li>• Try operating steamer from another power outlet.</li><li>• If unit is still not working, call customer service at 1-888-574-3662.</li></ul>
No steam	<ul style="list-style-type: none"><li>• Ensure water tank is full.</li><li>• Calcium and mineral deposits can build up and impact the performance of your steamer, use distilled water if necessary.</li><li>• To break up calcium build up due to hard water we suggest filling water tank with a 50/50 mixture of white vinegar and distilled water and allow mixture to run until empty.</li><li>• If unit is still not working, call customer service at 1-888-574-3662.</li></ul>
Steamer is leaking water	<ul style="list-style-type: none"><li>• Condensation may form inside the unit dripping water upon initial use; wait few seconds until steam appears.</li></ul>

## **ONE YEAR LIMITED WARRANTY**

Our Sienna product warranty extends only to the original customer purchaser of the product. It is warranted by the manufacturer to be free from all defects in materials or workmanship for a period of one year from the date of original purchase. This warranty is subject to the following conditions, exclusions and exceptions.

### **Exclusions:**

This warranty does not cover normal wear and tear of parts and does not apply to any product that has been tampered with or used for commercial purposes. This warranty does not cover damage caused by misuse, abuse, negligent handling or damage due to mishandling in transit or shipping. This warranty does not cover damage or defects caused by or resulting from repairs, service or alterations to the product or any of its parts, which have been performed by a repair person not authorized by the manufacturer. This warranty is effective only if the product is purchased and operated in the USA, and does not extend to any units which have been used in violation of written instructions furnished by the manufacturer, or to units which have had the serial number removed, altered, defaced or rendered illegible.

### **Performance:**

During the limited warranty period, the manufacturer will, at its option, repair or replace free of charge a defective product or part that is covered by this warranty. As a matter of warranty policy, the manufacturer will not refund the purchase price. A repaired or replacement product will be covered by this warranty for the balance of the initial one year warranty period.

To contact Customer Service:

Write: Anvid Products, Inc.

1401-1499 Greenville Road

Livermore, CA 94550

E-mail: [customerservice@anvidproducts.com](mailto:customerservice@anvidproducts.com)

Or call: 1-888-5SIENNA (1-888-574-3662)

Please refer to your product name and model number when contacting Customer Service.

Customer Service will give you further instructions for returning a defective product. When returning a defective product, carefully pack the item to avoid damage in shipping, the manufacturer cannot assume responsibility for loss or damage during incoming shipment. Be sure to include the following items with your product: any accessories related to the product, completed warranty form, and a copy of your sales receipt or other proof of purchase to determine warranty status. C.O.D. shipments cannot be accepted.

Limitations of Remedies: No representative or person is authorized to assume for the manufacturer any other liability in connection with the sale of our products. This limited warranty is not transferable and any sale, transfer or other disposition of the product voids this limited warranty. There shall be no claims for defects or failure of performance or product failure under any theory of tort, contract or commercial law including, but not limited to, negligence, gross negligence, strict liability, breach of warranty and breach of contract.

**ANY IMPLIED WARRANTIES, OBLIGATIONS, OR LIABILITIES, INCLUDING, BUT NOT LIMITED TO, THE IMPLIED WARRANTY OF MERCHANTABILITY AND FITNESS FOR A PARTICULAR PURPOSE, SHALL BE LIMITED TO THE DURATION OF THIS WARRANTY.** Some states do not allow limitations on how long an implied warranty lasts, so the above limitations may not apply to you.

**REPAIR OR REPLACEMENT SHALL BE THE SOLE REMEDY OF THE PURCHASER UNDER THIS LIMITED WARRANTY, AND IN NO EVENT SHALL THE MANUFACTURER BE LIABLE FOR ANY SPECIAL, INCIDENTAL, OR CONSEQUENTIAL DAMAGES, LOSSES OR EXPENSES YOU MAY INCUR IN CONNECTION WITH YOUR PURCHASE OR USE OF THE PRODUCT OR FOR ANY BREACH OF THIS OR ANY OTHER WARRANTY, EXPRESS OR IMPLIED, WHATSOEVER.** Some states do not allow exclusion or limitation of special, incidental, or consequential damages, so the above limitation may not apply to you. This limited warranty gives you specific legal rights, and you may also have other rights which vary from state to state.



Correct Disposal of this product	
	This marking indicates that this product should not be disposed with other household wastes throughout the US. To prevent possible harm to the environment or human health from uncontrolled waste disposal, we recommend recycling it responsibly to promote the sustainable reuse of material resources. To dispose of your used device, please contact your local city for proper disposal locations.