

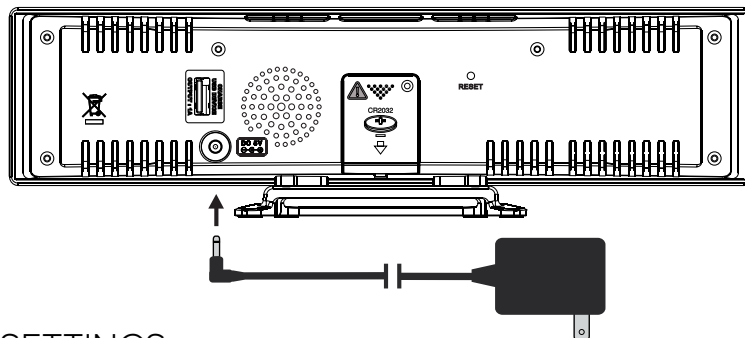
Curved LED Alarm Clock with Indoor Temperature + Humidity



Model: 602-247
DC:122017

POWER UP

1. Insert the provided stand into bottom of clock.
2. Insert the 5.0 volt power cord into an outlet, then into your clock. Optional: Install 1-CR2032 battery (not included).



SETTINGS

- Hold then release the SET button to enter settings menu.
- Press and release the + or - buttons to adjust the values. Hold to adjust quickly.
- Press and release the SET button to confirm and move to the next item.

Settings menu order:

- | | |
|--------------------|--|
| 1. Hour | 5. Month |
| 2. Minutes | 6. Date |
| 3. 12/24 hour time | 7. Snooze Duration "n05"
(5-60 minutes) |
| 4. Year | |

TIME ALARMS

- Hold then release the AL 1-2 button to enter alarm set mode.
- Press and release the + or - buttons to adjust the values. Hold to adjust quickly.
- Press and release the AL 1-2 button to confirm and move to the next item.
- Press SET button anytime to exit alarm set mode.

Alarm setting order:

1. Alarm 1 Hour
2. Alarm 1 Minutes
3. Alarm volume "HI" or "LO"
4. Number of days for alarm:
 - 1-7 = Monday to Sunday
 - 1-5 = Monday to Friday
 - 6-7 = Saturday and Sunday
 - 1-1 = one day alarm.
5. **Alarm 2 settings** (follow steps 1-4)

Turn off sounding alarm for 1 day:

- When alarm 1 or 2 is sounding, the alarm icon A1 or A2 flashes.
- Press the AL 1.2 button once to stop the alarm and reset it to come on the following day.
- The A1 and/or A2 icon will remain on, indicating it is still active for the next time set to alarm.

Activate | Deactivate Time Alarms:

1. Press the AL1.2 button once to activate Alarm 1, A1 will appear
2. Press the AL1.2 button a second time to activate Alarm 2. A2 will appear.
3. Press the AL1.2 button a third time to activate both Alarm 1 and 2. Both A1 and A2 will appear.
4. Press the AL1.2 button a fourth time to deactivate both alarms. Both the A1 and A2 icons will disappear.

Snooze:

- When an alarm sounds, press the **Zz • ☀** button to silence the alarm for the 5 minutes or the snooze duration selected in the settings menu. AL1 or AL2 will flash.

ADJUSTABLE BACKLIGHT & AUTO DIM

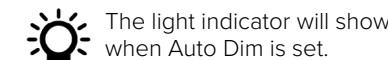
Adjustable Backlight: Press and release the AUTO DIM SET button to adjust backlight HI-LO-OFF.

Auto Dim: Customize your clock to dim automatically.

1. Hold AUTO DIM SET button for 3 seconds to enter Auto Dim settings. Press and release the + or - button to turn Auto Dim feature ON."
2. Press and release AUTO DIM SET button to confirm and move to the Auto Dim start time. Press and release the + or - button to select start time.
3. Press and release AUTO DIM SET button to confirm and move to the duration (1-12 hours). Press and release the + or - button to select duration.
4. Press and release AUTO DIM SET button to confirm and exit.

Auto Dim setting order:

- ON/OFF
- Start time
- Duration (1-12 hours)



DAYLIGHT SAVING TIME ADJUSTMENT

- **When observing Daylight Saving time:** Hold the DST/- button for 3 seconds to move your time ahead 1 hour.
- The letter "D" will show between the hours and minutes when DST is active.
- **When observing Standard time:** Hold the DST/- button for 3 seconds to move your time back 1 hour.

MIN/MAX MEMORY

Select MIN/MAX duration:

- Hold the MEMORY/+ button to select MIN/MAX duration (24 / 48 / 72 or 96 hours). “24 Hr” and ▲ ▼ will flash.
- Press and release the MEMORY/+ or DST/- buttons to select.
- Hold the MEMORY button to exit.

View MIN/MAX Temperature/Humidity Readings:

Press and release the MEMORY button to view:

▲ maximum, then ▼ minimum temperature/humidity readings for the duration selected.

USB CHARGING PORT

Note: This is a power-output charging port. It does not provide power to the alarm clock.

- Connect your external device’s USB charging cable (not included) to the USB charging port.
- Charging times will vary.
- USB Power Output: 1A maximum current.
- Charge 1A devices or devices that are self- regulating.

SPECIFICATIONS

- Power Requirements: 5V 1.2A AC/DC adapter HX06-0501200AU-001
Optional CR2032 battery (not included)
- USB output: 1A maximum current.

JOIN THE CONVERSATION

Ask questions, watch detailed setup videos, and provide feedback on our social media outlets!



WE’RE HERE TO HELP!

FIND FULL MANUALS, FAQs, AND MORE UNDER THE **SUPPORT** TAB HERE: <http://bit.ly/602-247>

NEED MORE HELP?

If you require additional support, call our friendly customer support representatives based out of our office in La Crosse, Wisconsin.

Phone: 1.608.782.1610

Our knowledgeable customer support team is available: Monday-Friday, 8am-6pm CST.

SPECIFICATIONS CONTINUED

- Indoor Temperature Range: 32°F to 113°F (0°C to 45°C)
- Indoor Humidity Range: 20% to 95%RH
- Alarm duration: 2 minutes
- Snooze duration 5-60 minutes programmable.

WARRANTY INFO

La Crosse Technology, Ltd. provides a **1-year limited time warranty** (from date of purchase) on this product relating to manufacturing defects in materials & workmanship.

For Full Warranty Details, Visit:

www.lacrossetechnology.com/support

CARE + MAINTENANCE

- Do not mix old and new batteries.
- Do not mix Alkaline, Lithium, standard, or rechargeable batteries.
- Always purchase the correct size and grade of battery most suitable for intended use.
- Clean the battery contacts and also those of the device prior to battery installation.
- Ensure the batteries have with correct polarity (+ / -).
- Remove batteries from equipment that will not be used for an extended period.
- Promptly remove expired batteries.

CANADA STATEMENT

This device complies with CNR Industry Canada license -exempt devices. Operation is subject to the following two conditions:

- (1) This device may not cause interference; and
- (2) This device must accept any interference, including interference that may cause undesired operation of the device.

FCC STATEMENT

This equipment has been tested and found to comply with the limits for a Class B digital device, pursuant to part 15 of the FCC Rules. These limits are designed to provide reasonable protection against harmful interference in a residential installation. This equipment generates, uses and can radiate radio frequency energy and, if not installed and used in accordance with the instructions, may cause harmful interference to radio communications. However, there is no guarantee that interference will not occur in a particular installation. If this equipment does cause harmful interference to radio or television reception, which can be determined by turning the equipment off and on, the user is encouraged to try to correct the interference by one or more of the following measures:

- Reorient or relocate the receiving antenna.
- Connect the equipment into an outlet on a circuit different from that to which the receiver is connected.
- Increase separation between equipment & receiver.
- Consult the dealer or an experienced radio/TV technician for help.

This device must not be co-located or operating in conjunction with any other antenna or transmitter.

Operation is subject to the following two conditions:

- (1) This device may not cause harmful interference, and
- (2) This device must accept any interference received, including interference that may cause undesired operation.

Caution!

The manufacturer is not responsible for any radio or TV interference caused by unauthorized changes or modifications to this equipment. Such changes or modifications could void the user authority to operate the equipment.

All rights reserved. This manual may not be reproduced in any form, even in part, or duplicated or processed using electronic, mechanical or chemical process without the written permission of the publisher.

This booklet may contain errors or misprints. The information it contains is regularly checked and corrections are included in subsequent editions. We disclaim any responsibility for any technical error or printing error, or their consequences. All trademarks and patents are recognized.