



Requires four AA (LR06) batteries, not included.

Important: Please save this instruction sheet. It contains valuable product information.

IN THE DARK, YOU CAN SEE THEM... BUT THEY CAN'T SEE YOU!

1. Turn on Night Hawk Scope, using ON/OFF SWITCH. (Fig. 1)
2. Use the ADJUSTABLE EYEPIECE DIAL to adjust the eyepiece to your face and individual comfort. (Fig. 1)
3. Select NIGHT MODE, using the DAY /NIGHT MODE SWITCH, located on top of scope. (Fig. 1) In the dark, objects will appear green.
4. Use the ADJUSTABLE FOCUS DIAL to focus objects into sharper view. (Fig. 1)
5. To illuminate objects up to 50 feet away, select Hi Power MODE on the Hi Power/Low Power SWITCH. (Fig. 1)

Note: When selecting the Hi Power MODE, distant objects are illuminated, not magnified.

Note: You may sometimes see a LED Glow from the IR LED receivers on one side of the Night Hawk Scope. This is normal and shows that the IR receiver is working in Hi Power mode

USING IN DAY MODE

To use during the day, use the DAY/NIGHT MODE SWITCH to switch to DAY MODE. (Fig. 1) Objects will appear in their normal colors, not green as they do in NIGHT MODE.

Note: The Hi Power/ Low Power MODE only works in the dark. Also, when using the DAY MODE, IR LED LIGHTS will not be visible, even though the night vision binoculars are on.

ATTENTION ADULTS—TO REPLACE BATTERIES

Ultimate Night Vision requires four AA (LR06) batteries, not included.

1. Locate the battery compartment. Use a small Phillips head screwdriver to loosen the screw(s), and remove the BATTERY COVER. (Fig. 2)
2. Remove old batteries.
3. Place new batteries in compartment as shown.
4. Replace the BATTERY COVER and tighten screw(s).

BATTERY SAFETY

- Only adults should install and replace batteries.
- Rechargeable batteries are to be removed from the toy before being charged.
- Rechargeable batteries are only to be charged under adult supervision.
- Non-rechargeable batteries are not to be recharged.
- Remove dead or exhausted batteries.
- Insert batteries correctly. Match positive and negative signs.
- The supply terminals are not to be short-circuited.
- Do not mix alkaline, standard (carbon-zinc), or rechargeable (nickel-cadmium) batteries.
- Do not mix old and new batteries.
- Only the batteries of the same or equivalent type recommended to be used.
- Do not dispose batteries in a fire; they may explode.
- Dispose of batteries safely.

SAFETY

- If you experience any dizziness, discomfort or disorientation, stop using the scope. Always use good judgment and common sense.
- Never use while operating vehicles or riding bicycles, skateboards, or skates.
- Never explore surroundings that might be considered dangerous even during daytime.
- Never use scope as a life-saving device since it is a toy.
- Always use under adult supervision.
- Always insert a fresh set of batteries before using the scope.
- Always carry a flashlight and extra batteries for when batteries run down.
- Always use caution with scope since peripheral vision and depth perception are restricted. Scan continuously from side to side for hazards.
- Objects or persons viewed through scope may be larger or closer than they appear.
- Scope (with reduced illumination and contrast) does not provide the same level of vision sharpness and image clarity compared to daylight conditions.
- When finished playing with scope, allow time for your eyes to adjust and adapt to the darkness before moving around again.
- Take frequent breaks to prevent eye strain and tiredness.

Warning! Changes or modifications to this unit not expressly approved by the party responsible for compliance could void the user's authority to operate the equipment.

Caution! Do not stare to sun as serious injury may result.

Product specifications subject to change.

NIGHT HAWK SCOPE 10397-IS-US

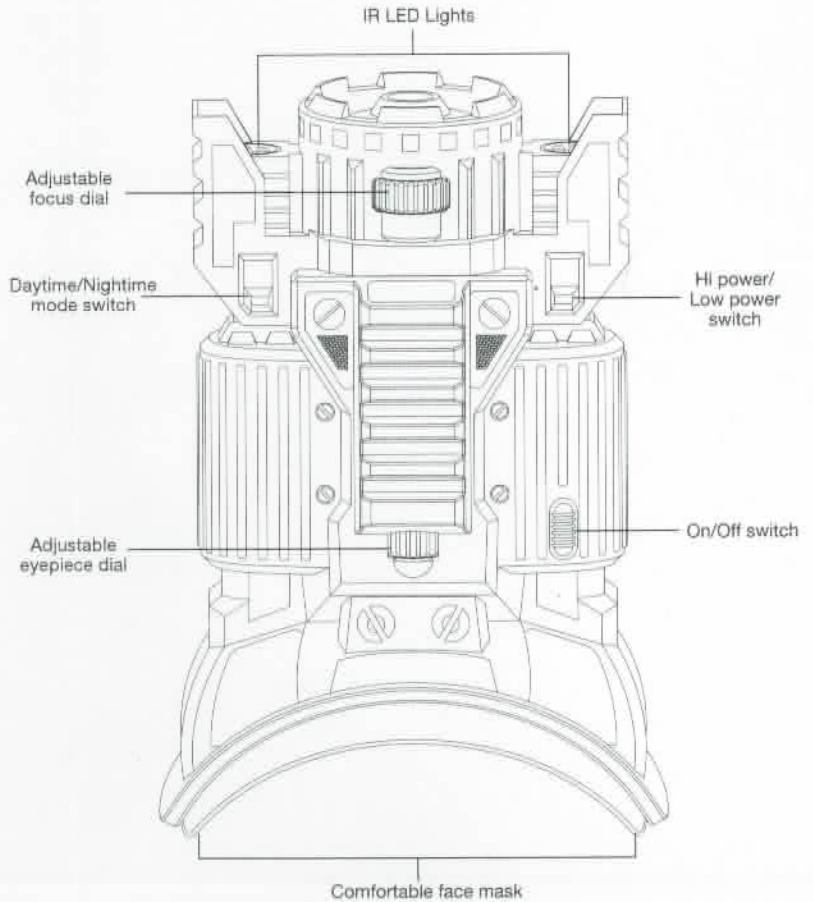


Fig. 1

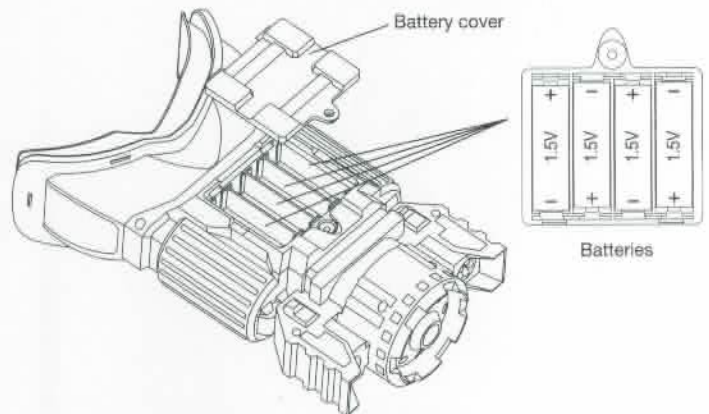


Fig. 2

Note: This unit has been tested and found to comply with the limits for a Class B digital device, pursuant to Part 15 of the FCC Rules. These limits are designed to provide reasonable protection against harmful interference in a residential installation. This unit generates, uses, and can radiate radio frequency energy and, if not installed and used in accordance with the instructions, may cause harmful interference to radio communications. However, there is no guarantee that interference will not occur in a particular installation.

If this unit does cause harmful interference to radio or television reception, which can be determined by turning the unit off and on, the user is encouraged to try to correct the interference by one or more of the following measures:

- Reorient or relocate the receiving antenna.
- Increase the separation between the unit and receiver.
- Connect the unit into an outlet on a circuit different from that to which the receiver is connected.
- Consult the dealer or an experienced radio TV technician for help.



IF YOU HAVE ANY QUESTIONS, PLEASE CONTACT US AT
www.atomicmonkeyproducts.com/help