

Bring the Party!

KOOL

By **TUNES2GO**[®] **MAX**[™]

**40-Quart Cooler,
Bluetooth Audio System
and Power Station**



**Model # CA-E065A
Instruction Manual**

350Watts
MAX
power output

INDEX

Quick Start Guide.....	P.2-4
Product Diagram.....	P.5-6
Control Panel Diagram.....	P.7-8
Remote Control Guide.....	P.9-10
Input Panel Diagram.....	P.10-11
KoolMAX Accessories.....	P.11
Troubleshooting Guide.....	P.12
Warranty.....	P.13

Warning:

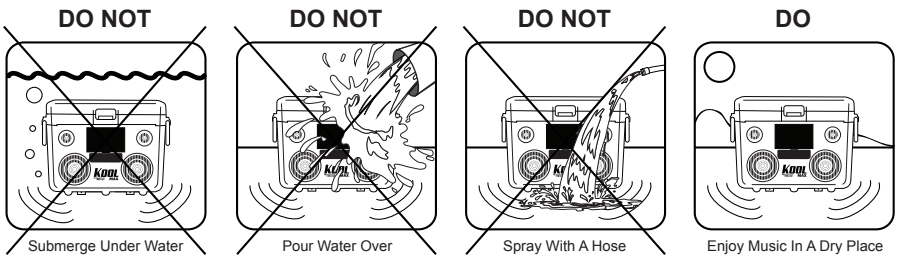
This product is water resistant, NOT waterproof. Large amounts of water applied to this product may cause damage to major electronic components. This product is designed for light water exposure.

DANGER: To avoid electrical shock and damage to this product do not spray with a hose, pour water over, and/or submerge under water. This will result in damage to the electronic components and the possibility of electrical shock.

DANGER: The water resistant storage areas are not waterproof. They are only designed to keep your MP3 player, phone, and tablet safe from the occasional water spill. Some leakage may still occur.

DANGER: The front panel inputs are equipped with water resistant rubber plugs. When, and only when the rubber plugs are securely placed in the appropriate input slot, they provide water resistance.

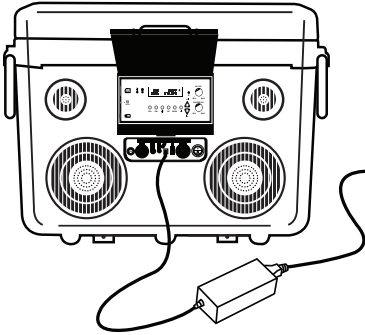
For more information on this product's safety requirements and for questions or concerns please call (in the USA and Canada) 1-877-997-7888.



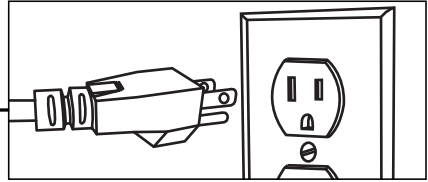
Quick Start Guide

Please register your product at
www.sondpex/koolmax/productregistration.html
for warranty and customer support

Charging the Battery

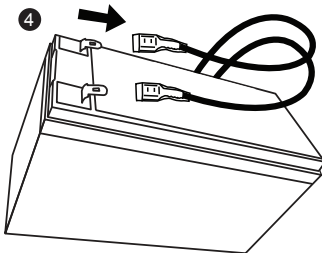
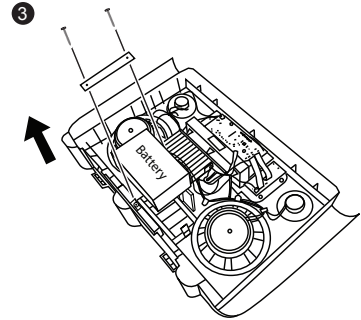
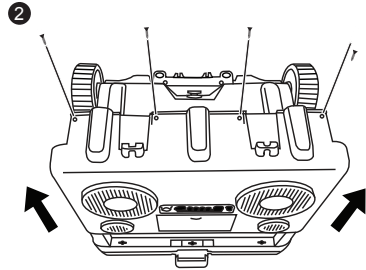
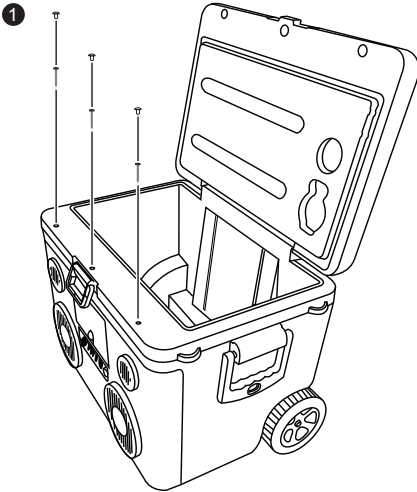


Charge battery for 24 hours before first use.



To avoid damage to battery, charge every 2-3 months, even if unit is not in use

Battery Replacement Diagram



Removal:

1. Remove top 3 retaining screws
2. Remove Bottom 4 retaining screws and slide the front panel upwards
3. Remove the 2 retaining screws and mounting brace
4. slide out battery and remove (+) red wire, remove (-) blue wire

Installation: Repeat steps 1-4 in reverse

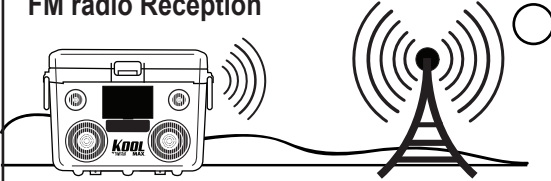
Quick Start Guide

Music Playback



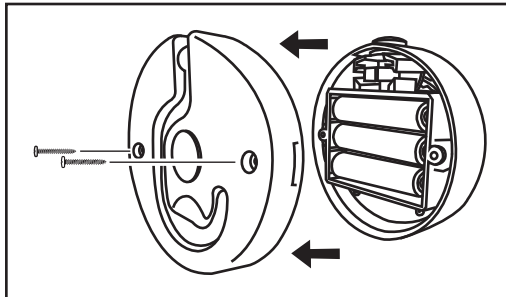
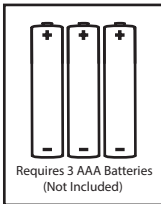
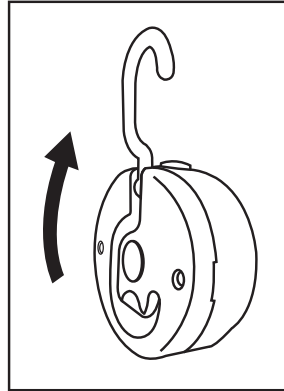
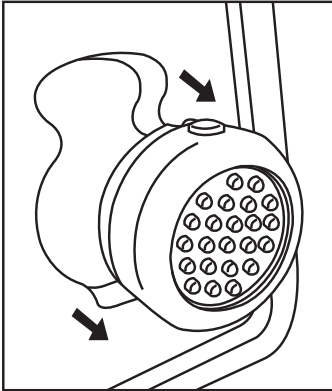
KoolMAX only supports MP3 music files for playback through its USB and SD inputs

FM radio Reception



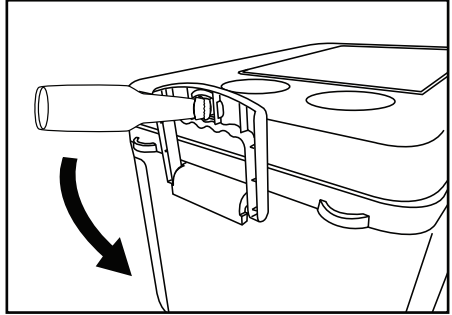
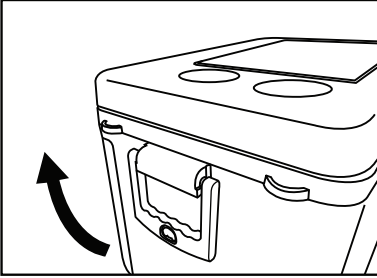
KoolMAX radio reception is based on the location and direction of cooler towards source of the signal

Flashlight Removal and Battery Replacement

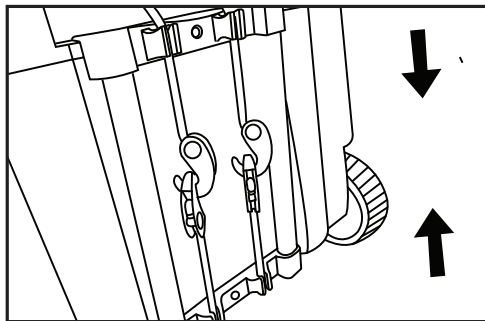
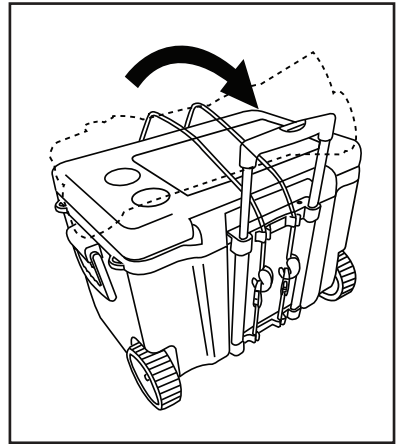
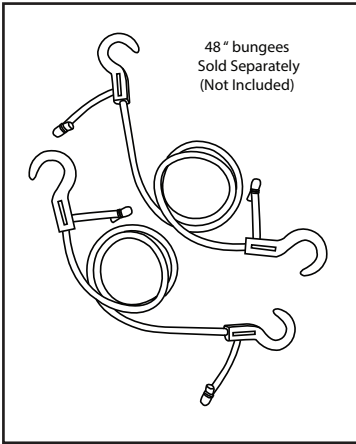


Quick Start Guide

Bottle Opener

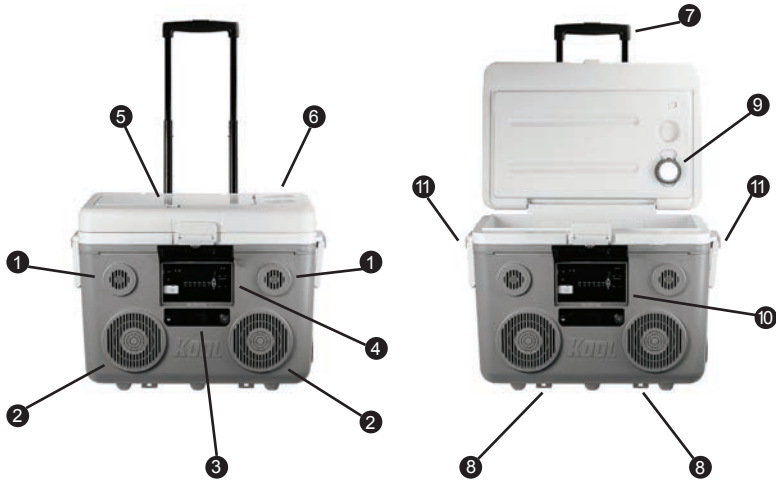


Bungee Tie downs



Product Diagram

1A



1. 2" Tweeters

2. 6.5" Speakers

3. Input Panel

4. Control Panel

5. iPad/Tablet Holder

6. Cup Holders

7. Telescoping Handle

8. Bungee Mounts

9. Flashlight/Holder

10. MP3 Player/Phone
Storage

11. Handle/Bottle Openers

Product Diagram 1A

1. 2" Tweeters

2-water resistant 2" tweeters

2. 6" Speakers

2-water resistant 6.5" high performance speakers

3. Input Panel

See page 7 (Input Panel Diagram 4A)

4. Control Panel

See page 4 (Control Panel Diagram 2A)

5. iPad/Tablet Holder

Water resistant storage area holds iPad/tablet and the KoolMAX power charger

6. Cup Holders

Holds standard size 12oz cans or bottles

7. Telescoping Handle

8. Bungee Mounts

Mounting points for bungee cords, used to secure items to top of cooler

9. Flashlight/Holder

Built-in holder for the accessory flashlight (flashlight may not be included in all models)

Note: listing of KoolMAX accessories are on Page 8

10. MP3 Player/Phone Storage

Water resistant storage area holds a MP3 player or cell phone

11. Handle/Bottle Openers

Both handles have built-in bottle openers

Product Diagram

1B



1. Rear Bungee Mounts
2. Water Drain
3. Bottle Opener



4. Cooler Tie Downs
5. iPad/Tablet Holder

Product Diagram 1B

1. Rear Bungee Mounts

Mounting point to attach bungee cords

2. Water Drain

3. Bottle Opener

4. Cooler Tie Downs

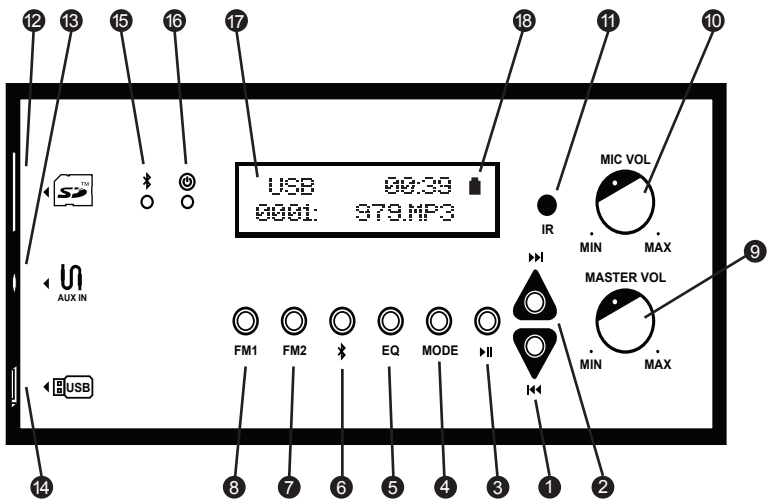
There are a total of 4 cooler tie down points

5. iPad/Tablet Holder

Water resistant storage area holds iPad/tablet and the KoolMAX power charger

Control Panel Diagram

2A



- | | | |
|---------------|------------------|--------------------------|
| 1. NEXT | 7. FM2 | 13. AUX IN |
| 2. PREV | 8. FM1 | 14. USB In/Charging Port |
| 3. PLAY/PAUSE | 9. MASTER VOL | 15. Bluetooth LED |
| 4. MODE | 10. MIC VOL | 16. Dual LED |
| 5. EQ | 11. IR Receiver | 17. LCD Display |
| 6. Bluetooth | 12. SD Card Slot | 18. Battery Icon |

Control Panel 2A

1. NEXT

In USB/SD/Bluetooth mode, press the key to skip to the next song.

In FM radio mode, press the key to select the next radio station. For manual FM station tuning, press the key to increase the frequency (step frequency 0.1MHz). Press and hold this key to enter seek mode, which will stop at the first radio station that is found.

2. PREV

In USB/SD/Bluetooth mode, press the key to skip to the previous song.

In FM radio mode, press the key to select the previous radio station. For manual FM station tuning, press the key to decrease the frequency (step frequency 0.1MHz). Press and hold this key to enter seek mode, which will stop at the first radio station that is found.

3. PLAY/PAUSE

In USB/SD/Bluetooth mode, press the key to play/pause.

In radio mode, press and hold the key to enter automatic seek mode over the entire frequency range. In radio mode, press the key to enter the manual searching mode. The frequency displayed on the screen will start flashing. After this happens, press the "NEXT" or "PREV" key to increase or decrease the frequency. If there is no action within 15 seconds, the displayed frequency will stop flashing.

4. MODE

Toggles audio source. Press this key to toggle the audio source in this order:
USB→SD→FM→AUX

5. EQ

Toggles EQ mode. Press this key to toggle the EQ mode in this order:
NORMAL-BASS-POP-POCK-JAZZ-COUNTRY

6. Bluetooth

Shortcut key for Bluetooth mode. Press this at any time to switch to Bluetooth mode.
Each time the KoolMAX is powered on, it defaults to Bluetooth mode.

7. FM2

In FM mode, press this key, then press the "NEXT" or "PREV" key to toggle between the 6 FM stations stored in FM2. In manual tuning and seek modes, press the key to store the current station in FM2. FM2 can store 6 stations at one time. If the number of stored stations is more than 6, the earliest stored station will be overwritten.

8. FM1

In FM mode, press this key, then press the "NEXT" or "PREV" key to toggle between the 6 FM stations stored in FM1. In manual tuning and seek modes, press the key to store the current station in FM1. FM1 can store 6 stations at one time. If the number of stored stations is more than 6, the earliest stored station will be overwritten.

9. MASTER VOL

Master volume control knob. Clockwise rotation increases volume, counter clockwise rotation decreases volume.

10. MIC VOL

Microphone volume control knob. Clockwise rotation increases volume, counter clockwise rotation decreases volume.

11. IR Remote Control Receiver

12. SD Card Slot

13. AUX IN

14. USB In/Charging Port

15. Bluetooth LED

Blue LED indicator light. Only turns on when in Bluetooth mode.

16. Dual LED

Dual LED Indicator System

Green LED: Turns on when KoolMAX is powered on

Red LED: Turns on when the battery is charging (regardless if KoolMAX is powered on or not). When the battery is fully charged, the red LED will turn off.













17. LCD Display

18. Battery icon

Indication of battery power

Remote Control Guide

3A

- | | |
|---|---|
|  Power |  NEXT |
|  STOP |  PREV |
|  Mute |  PLAY/PAUSE |
|  MODE |  V+ |
|  EQ |  V- |
|  Playback Mode |  1 Number Keys |



Remote Control Guide 3A

Power

System power on/off

STOP

In USB/SD mode, press this key to stop the track that is currently played. If the PLAY/PAUSE button is pressed again, KoolMAX will play the track from the beginning.

MUTE

MODE

Audio source selection key. Press this key to toggle the audio source in this order: USB→SD→FM→AUX

Playback Mode

Toggles USB/SD playback modes. Press this key to toggle the playback mode in this order: ALL (all tracks in a continuous loop), RANDOM (random playback), ONE (single tracks in a continuous loop), FOLDER (only tracks in the current folder in a continuous loop). When KoolMAX is powered on, it defaults to the ALL playback mode.

EQ

Toggles EQ mode. Press this key to toggle the EQ mode in this order: NORMAL-BASS-POP-ROCK-JAZZ-COUNTRY

NEXT

In USB/SD/Bluetooth mode, press the key to skip to the next song.
In FM radio mode, press the key to select the next radio station.

PREV

In USB/SD/Bluetooth mode, press the key to skip to the previous song.
In FM radio mode, press the key to select the previous radio station.

PLAY/PAUSE

In USB/SD/Bluetooth playing mode, press the key to play/pause.

V+

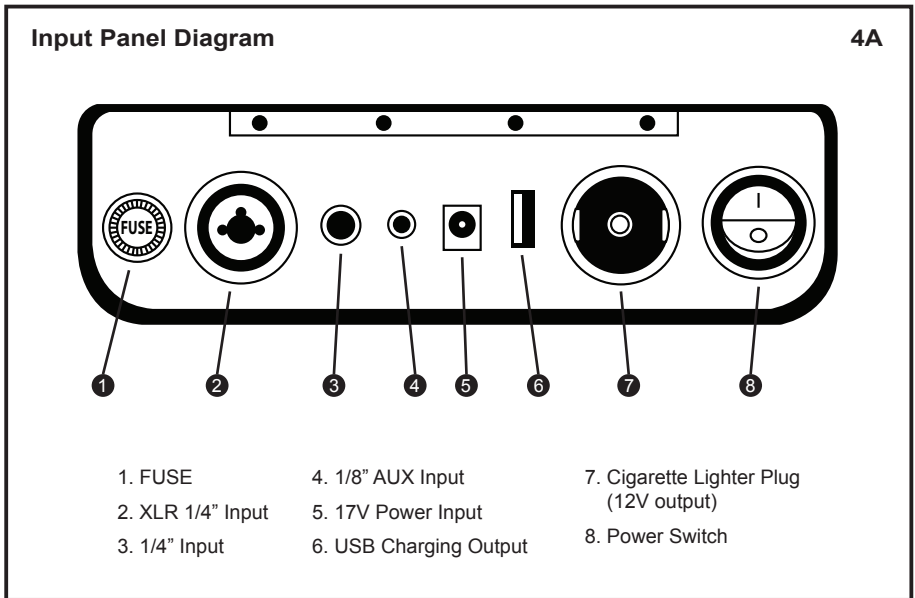
Increases volume

V-

Decreases volume

Number Keys:

In USB/SD mode, use the digital keys to directly select a track number.



Input Panel Diagram 4A

1. FUSE

5x20mm, T5A/250V glass fuse

2. XLR 1/4" Input

Microphone and instrument input

3. 1/4" Input

Instrument input

4. 1/8" AUX Input

Used to connect to any device with an AUX port

5. 17V Power Input

Note: Only charge the KoolMAX with 100-240V AC/17V DC power adapter

6. USB Charging Output

5.2A output charges devices like cell phones, laptops, and tablets

7. Cigarette Lighter Plug (12V output)

12V output powers devices like fans, lights, and air pumps

8. Power Switch

Optional KoolMAX Accessories



KoolMAX 12V Air Pump



KoolMAX 12V Fan



KoolMAX LED Light



KoolMAX Super Ice Packs



KoolMAX Portable
Solar Charging Kit



KoolMAX Divider

Visit www.sondpex.com/Koolmax to order accessories and replacement parts.

Troubleshooting Guide

Issues	Possible Causes	Solutions
Unit not powering On	Battery is low on power	Plug in unit to wall outlet, let unit charge for 24 hours
	Fuse is burnt out	Use a replacement fuse with the appropriate size and rating
No sound	It is muted or the volume is at zero	Adjust the volume to your required level
	Are Input Devise is improperly connected	Check the devise input and make sure plugs are properly connected
No sound while using USB or SD card	Incorrect file format	Check if media files are MP3 file format
Incorrectly reading USB or SD card	Error or not recognizing the media	Remove and re-insert, check if media files are MP3 file format
Audio Distortion	Volume level too high	Lower the volume to a comfortable level
	EQ might not be on the appropriate setting for the music type	Change EQ setting to the appropriate music type
Poor tuner reception	KoolMAX might not be positioned toward radio signal	Move the unit to a new position.
	Weak signal	Change to another station
Unit is freezing	Not responsive	Turn off the unit, and power it on again Battery is low try changing unit for 24 hours

Please register your product at
www.sondpex/koolmax/productregistration.html
for warranty and customer support

One Year LIMITED WARRANTY

KoolMAX Model # CA-E065A

This warranty is provided to you by Sondpex Corp. of America,
and is applicable to this Sondpex product with the following exceptions:

- When the product was used for purposes other than the ones it is intended for
- If the product was operated contrary to the instructions provided in this manual
 - If the product has been altered or repaired by unauthorized parties

WARRANTY

Sondpex warrants this product against original defects in materials
or workmanship for a period of one year after the original purchase date.

Our sole obligations under this warranty are to replace defective
products without charge or to provide a refund. Conditions or damages caused by
accidents, alterations, misuse, or failure to follow instructions for installation, are excluded
from this warranty. Normal wear and tear are not covered by this warranty.

Date of purchase: __/__/____

SERVICE

If you believe your product is defective, please contact Sondpex at the
number listed below. Do not return the product to the place of purchase
without first contacting Sondpex. If you need any other assistance,
please contact Sondpex at the telephone number provided below.

Toll free (USA and Canada): 1-877-997-7888

support@sondpex.com

www.sondpex.com

Sondpex Corp. of America

Princeton, NJ 08540 USA

Bring the Party!

KOOL

By **TUNES2GO** **MAX**[™]

www.sondpex.com
Toll Free (USA and Canada)
1-877-997-7888
Sondpex Corp. of America
Princeton, NJ 08540 USA