

INSTRUCTIONS (ENGLISH)

Before you begin, please check to ensure you have all the parts. Read ALL the directions before beginning.

SHOWER	BASE	TOOLS NEEDED
1 - Lower Tube	2 - Female Corners	1 3/8" socket or adjustable wrench
1 - Upper Tube	2 - Male Corners	
1 - Shower Head	4 - Center Nut Covers	
1 - Extension Pipe	4 - Side Foot Locks	
4 - Bolts	4 - Mounting Bolts	
4 - Washers		
4 - Expansion Nuts		
1 - Teflon Tape		

If not using the enclosed base, we recommend installing the shower to a solid surface to insure stability and safety.

When using tools, care must be taken not to scratch and/or damage chrome plating. We recommend using a cloth between wrench and shower parts to avoid scratching and/or damage.

ASSEMBLING THE SHOWER

1. Select one threaded end of the extension pipe and wrap 2 to 3 times with Teflon tape provided. Then thread shower head onto taped end of pipe. **DO NOT OVERTIGHTEN.** FIGURE 1
2. Tightly wrap remaining threaded end of extension pipe with Teflon tape 16 to 20 times. Carefully begin threading wrapped end of extension pipe into fitting on upper shower tube. Gently complete threading pipe into shower using final turn so shower head is pointing in a downward direction. **NOTE:** If extension pipe is stopped by end of threads in any other orientation, rotate pipe in a counter-clockwise direction until it is pointed downward. The extension pipe must point in a downward direction for proper operation. FIGURE 1
3. Place and align shower upper tube on lower tube. **NOTE:** Knob and shower head need to face the same direction. Press the upper tube down into lower tube. FIGURE 2
4. Turn locking ring clockwise to securely connect upper tube to lower tube. FIGURE 2
5. Attach garden hose to inlet port of shower and water supply. **NOTE:** Be sure hose is placed safely to avoid any tripping hazards.

NOTE: In case of leaks at the attachment points from step 1 or 2, remove extension pipe from fitting, wrap threading 3 to 4 times with Teflon tape and reattach. FIGURE 1

MOUNTING THE SHOWER: CONCRETE/MASONRY INSTALLATION ONLY

1. Choose a location for shower that receives the most direct sunlight.
2. Use the base plate/lower tube to mark the position of the mounting holes to be drilled into concrete/masonry for bolts. FIGURE 3
3. Remove shower. Drill 1/2" diameter holes, 1 3/4" deep, using the marks just created.
4. Insert Expansion Nuts into holes. Place the bolt inside the expansion nut and TAP with a hammer to slightly expand the nut.
5. Remove Bolt and place the base plate/lower tube over the holes and secure to surface with bolts and washers provided. **NOTE:** Base plate will appear loose until shower is fully secured to the surface.

MOUNTING THE SHOWER: USING BASE

1. Lay out the four corner sections to form a square with male and female connections lined up as shown below. Snap the four corner sections together by inserting the male connections into the female slots. FIGURE 4
2. Turn base upside-down and snap the side foot locks into the circle slots located towards the outer edges of each seam. FIGURE 5
3. Press the center nut covers into center holes indicated. FIGURE 6
4. Place shower on top of assembled base and line up the bolt holes on the shower's mounting flange with the bolt holes in the base. Insert and tighten the mounting bolts. FIGURE 7

NOTE: DO NOT PLACE BASE ON AN UNSTABLE OR UNEVEN SURFACE.

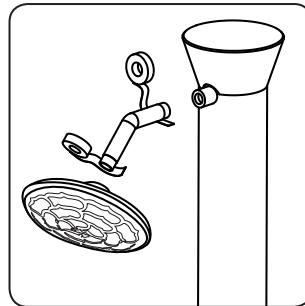
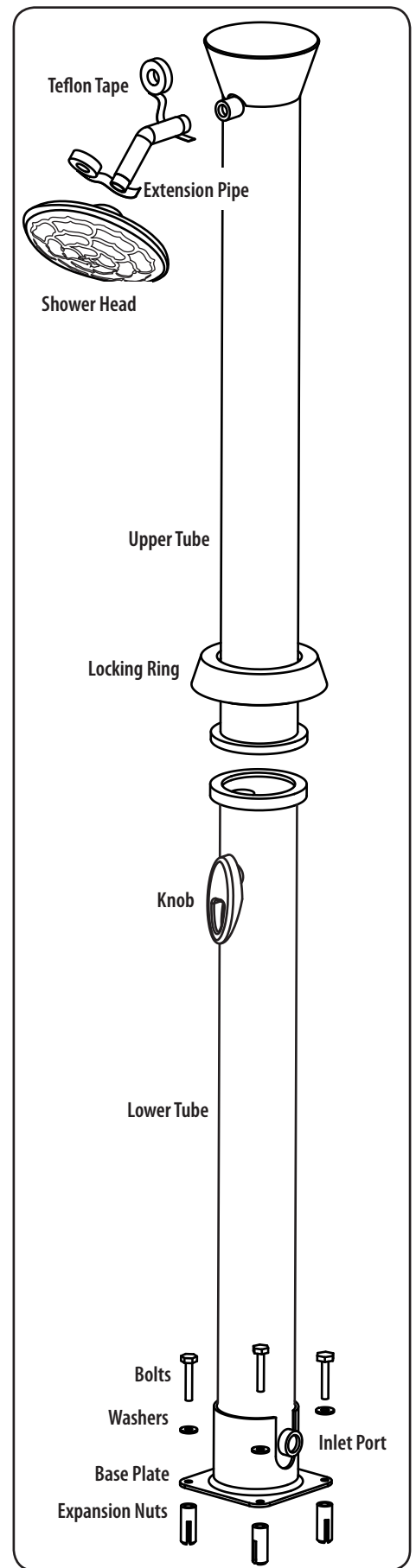


FIGURE 1

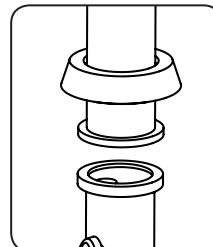


FIGURE 2

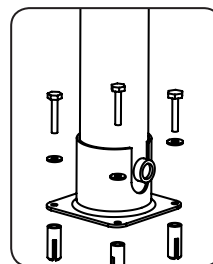


FIGURE 3

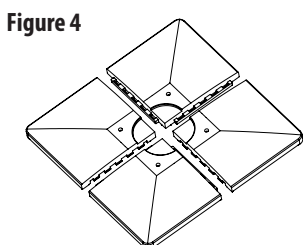


Figure 4

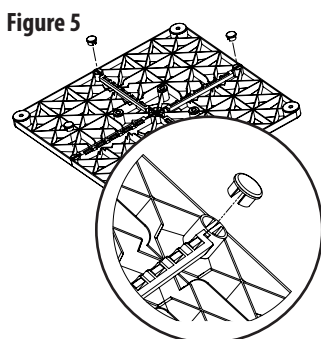


Figure 5

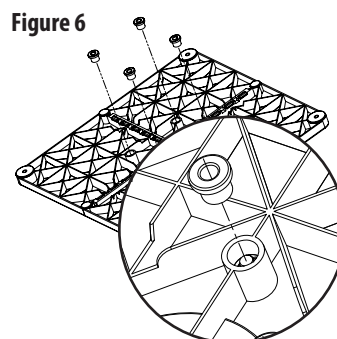


Figure 6

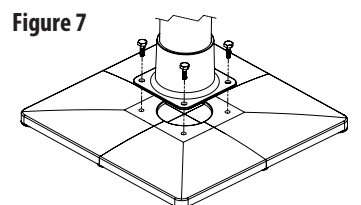


Figure 7

INITIAL SET UP OF THE SHOWER

1. Twist shower knob to FULL ON HOT position.
2. Turn on water supply to garden hose to fill shower. Shower will take about 2 minutes to fill. **NOTE:** Filling tube with valve in hot position ensures no air pockets are trapped in shower. This procedure is used for initial set up only.
3. When water flows from shower head, turn shower knob off. Turning the shower off allows the water to begin heating.
4. Shower is ready to absorb sunlight and heat your water. **NOTE:** Depending on available sunlight and outside temperature, it may take up to 1 hour or longer to fully heat the water. Using the shower too soon will yield less heated water. A recently used shower (that has not been emptied) will take less time as it will have retained some hot water.

USING THE SHOWER

WARNING: WATER TEMPERATURE IN SHOWER MAY REACH OVER 130°F (55°C)! WE RECOMMEND OPENING KNOB IN THE MIDDLE POSITION BETWEEN HOT AND COLD, THEN SETTING TO DESIRED TEMPERATURE. ALWAYS START YOUR SHOWER COOL TO AVOID INJURY.

1. Simply twist the knob to its ON position and you are ready to enjoy your sun-warmed water! **NOTE:** The faucet connected to garden hose must be turned on for shower to run.
2. Turn off water supply to shower when done.

WARNING: IF SHOWER HAS NOT BEEN USED FOR MORE THAN THREE DAYS, WE RECOMMEND RUNNING THE SHOWER FOR 2 MINUTES TO REMOVE STAGNANT WATER. STAGNANT WATER IN WARM ENVIRONMENT CAN PROVIDE A GROWTH ENVIRONMENT FOR HAZARDOUS BACTERIA.

OFF SEASON DISASSEMBLY

1. Turn off and disconnect garden hose.
2. Twist shower knob open and allow shower to drain (approximately 2 minutes).
3. Turn locking ring COUNTERCLOCKWISE to unthread, and gently pull shower tubes apart. **NOTE:** Water may splash out.
4. Unbolt shower lower tube and pour remaining water out of unit.
5. Wipe down and store shower parts for next season.

DO NOT USE SALT OR OTHER ANTI-FREEZING METHODS. THIS WILL VOID THE PRODUCT WARRANTY.

CARE AND MAINTENANCE

Wipe shower off after use.

WARNING: FOR YOUR SAFETY

DO NOT use the solar shower with base in high wind conditions. Wind may cause the shower to become unstable and fall over hurting you, children or property.

THIS IS NOT a recreational device. DO NOT climb on, hang from solar shower or stand on base. Use only as intended.

When not in use, store the solar shower in an area away from the play of children.

CAUTION: IMPORTANT SAFETY INFORMATION - KEEP SMALL PARTS, HARDWARE AND PLASTIC BAGS OUT OF THE REACH OF CHILDREN.

LIMITED WARRANTY STATEMENT

General Terms This Limited Warranty applies to the product enclosed ("the Product") distributed by Great American Duck Races, Inc., an Arizona corporation, doing business as Great American Marketing and Events ("GAME"), sold with this Limited Warranty Statement. This Limited Warranty is applicable in all countries. • GAME warrants that the Product you have purchased from GAME is free from defects in materials or workmanship under normal use during the warranty period. The warranty period starts on the date of purchase and continues for ninety (90) days. Your dated sales or delivery receipt, showing the date of purchase of the Product, is your proof of the purchase date. • During the warranty period, GAME will repair or replace any defective parts with new parts, or, at GAME's discretion, used parts that meet or exceed performance specifications for new parts. All parts removed under this warranty become the property of GAME. The replacement part takes on the warranty status of the removed part or product. • This Limited Warranty does not apply to expendable parts. This Limited Warranty does not extend to any product from which the serial number has been removed or that has been damaged or rendered defective (a) as a result of accident, misuse, abuse or other external causes; (b) by operation outside the usage parameters stated in the Instruction Sheet that shipped with the Product; (c) by the use of parts not manufactured or sold by GAME; or (d) by modification or service by anyone other than GAME.

Limitation of Liability GAME is not liable for any damages caused by the Product or the failure of the Product to perform, including any direct or indirect damages for personal injury, lost profits, lost savings, incidental damages, consequential damages, or any other pecuniary loss arising out of the use or inability to use the Product. GAME is not liable for any claim made by a third party or made by you for a third party. • This limitation applies whether damages are sought, or a claim made, under this Limited Warranty or as a tort claim (including negligence and strict product liability), a contract claim, or any other claim. This limitation cannot be waived or amended by any person. This limitation of liability will be effective even if you have advised GAME or an authorized representative of GAME of the possibility of any such damages.

EXCEPT AS EXPRESSLY SET FORTH IN THIS LIMITED WARRANTY, GAME MAKES NO OTHER WARRANTIES, EXPRESS OR IMPLIED, INCLUDING ANY IMPLIED WARRANTIES OF MERCHANTABILITY AND FITNESS FOR A PARTICULAR PURPOSE. GAME EXPRESSLY DISCLAIMS ALL WARRANTIES NOT STATED IN THIS LIMITED WARRANTY. ANY IMPLIED WARRANTIES THAT MAY BE IMPOSED BY LAW ARE LIMITED TO THE TERMS OF THIS WORLDWIDE LIMITED WARRANTY STATEMENT.

To obtain warranty service, please call, write, or email us directly at the address shown below.

This warranty gives you specific legal rights, and you may also have other rights which vary from state to state.



Great American Merchandise & Events™
16444 N. 91st Street
Scottsdale, AZ 85260-1567 U.S.A.

tel: 888.382.5988; fax: 602.957.7665
email: products@game-group.com
www.game-group.com