

# SHARPER IMAGE®

## Lighted Water Air Purifier and Freshener

Item No. 201218



### USER'S GUIDE

Thank you for purchasing the **Sharper Image Lighted Water Air Purifier and Freshener**.

This product is designed to make the air in your room clean and fresh, without sprays or harsh chemicals. Please take a moment to read this guide thoroughly and save it for future reference.

NOTE: Improper handling or misuse of this product will void the warranty.

### FEATURES

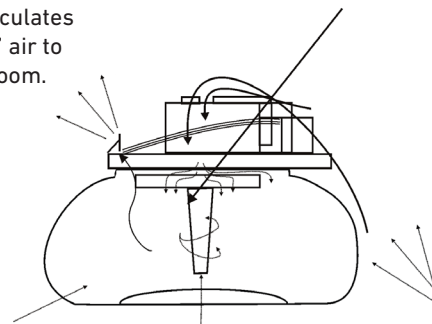
- Compact, attractive design
- "Washes" the air with circulating water
- Removes dust, smoke and odors
- Optional aromatherapy
- Optional blue mood light
- Does not produce heat
- No filters to change
- Recommended for rooms up to 600 sq. ft.
- Includes trial size Lavender and Eucalyptus scented oils

#### Treated Air Out

Electric fan circulates the "scrubbed" air to freshen your room.

#### Scrubbing Effect

Airborne contaminants are removed from the air and deposited in the water.

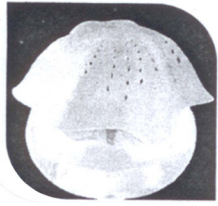


Tap water continually circulates in the water container, where it mixes with 2-3 drops of your favorite scented oil (optional).

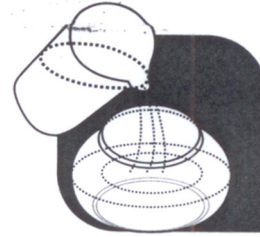
Quiet electric motor runs at 2900rpm.

Electric fan creates a current that draws in odors, bacteria and other contaminants.

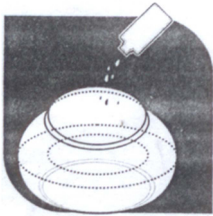
## DIRECTIONS



1. Remove TOP COVER.



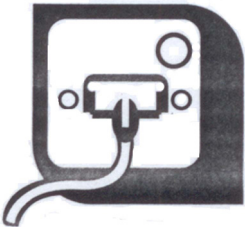
2. Fill water container with clean tap water up to the MAXIMUM line.



3. (Optional) Add 2-3 drops of scented oil to the water.



4. Replace TOP COVER. Make sure it is securely seated on the water container.



5. Plug the cord into an AC outlet and turn unit on. NOTE: You may operate this unit with or without the blue mood light.

## IMPORTANT

- Always unplug the unit before removing the TOP COVER, or when the unit is not in use.
- Do not submerge the TOP COVER in water or wash under running water.
- Use only a damp cloth or sponge to clean.
- Do not use any chemicals to clean the unit. Use tap water only.
- To clean the water container, pour out the old water, wipe clean and refill. (Do not wash in the dishwasher.)
- Do not overfill the water container. Keep the water between the MINIMUM and MAXIMUM lines.
- Do not use this product if the power cord appears to be damaged.

## CUSTOMER SERVICE

If you require assistance with your **Sharper Image Lighted Water Air Purifier and Freshener**, please call Customer Service toll-free at 1 (877) 714-7444 and select Option 3.